

Canon

CanoScan 4400F

Quick Start Guide

快速入门指南

시작하기

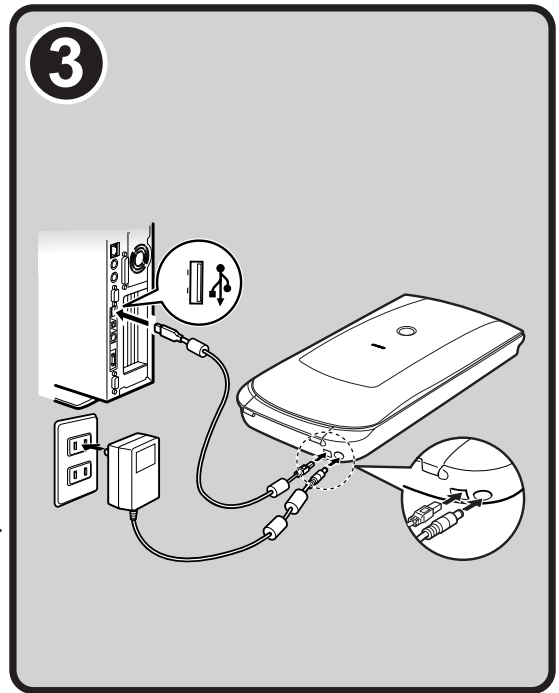
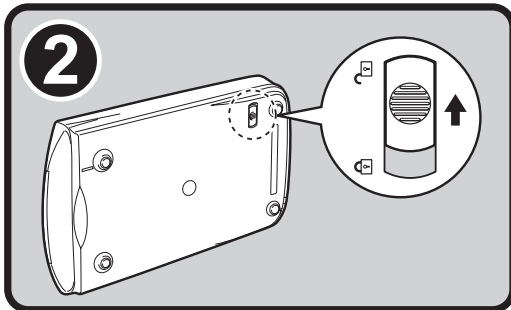
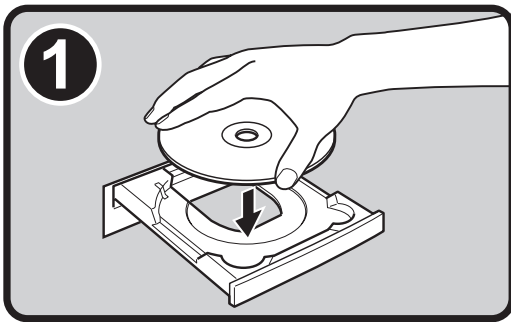
快速入門指南

English

简体中文

한국어

繁體中文



Quick Start Guide

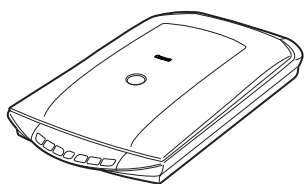
Please read this guide before operating this scanner. After you finish reading this guide, store it in a safe place for future reference.

Table of Contents

Package Contents	1	Using the Scanner Buttons.....	5
Installing the Software	2	Scanning Film	6
Preparing the Scanner	3	Specifications	9
Try Scanning	4		

Package Contents

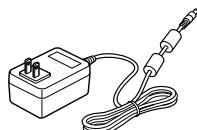
Scanner and Accessories



Scanner



USB Cable



AC Adapter



Film Guide*
(for 35mm film strip/slide)

*Built into the document cover



Shield

Documentation

- Quick Start Guide (this document)
- Additional Documents

CanoScan Setup Utility CD-ROM

- Software Programs
 - ScanGear (scanner driver)
 - CanoScan Toolbox
 - ArcSoft PhotoStudio
 - Presto! PageManager (Windows only)
 - ScanSoft OmniPage SE (not supported for Windows 98 First Edition)
 - Adobe RGB (1998) (Windows only)
- On-screen Manuals
 - Scanning Guide (for ScanGear, CanoScan Toolbox, and troubleshooting)
 - Manuals for bundled application programs

*In this guide, Windows XP screenshots are used to illustrate explanations common to all operating systems.

Installing the Software



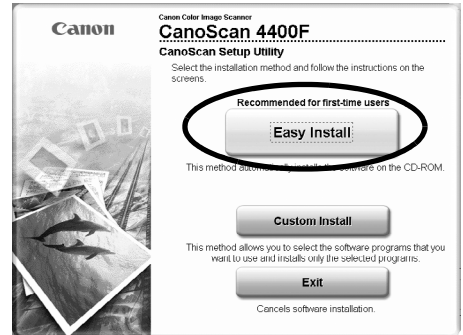
- Do NOT connect the scanner to a computer before installing the software. If you connect the scanner and the Found New Hardware Wizard appears, click [Cancel].
- Quit all running applications before installation, including anti-virus software.
- For Windows 2000/XP, log in as an administrator to install the software.

1 Place the CanoScan Setup Utility CD-ROM in the drive.

If prompted, select your language and place of residence. CanoScan Setup Utility program starts.

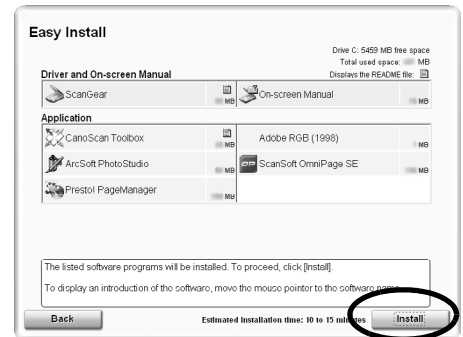
- For Macintosh: Double-click the [Setup] icon. Enter the administrator ID and password on the authentication dialog box.

2 Click [Easy Install] on the main menu.

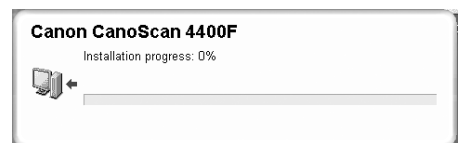


3 Click [Install] to start installation.

Carefully read the License Agreement, and then click [Yes] to proceed. All the software programs and on-screen manuals will be installed on your computer.



4 For the bundled applications, follow the on-screen instructions to perform the installation.



5 When the installation is complete, click [Restart] to restart your computer.

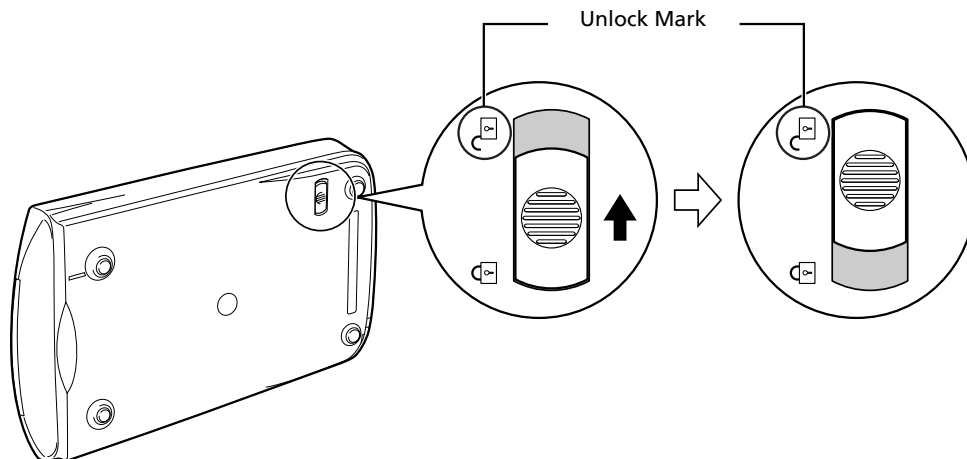


- Make sure to remove the CD-ROM from the drive and store it in a safe place.
- If you encounter a problem during installation, see "Troubleshooting" in the *Scanning Guide*.
- If you later upgrade your OS to Windows XP, reinstall the software.

Preparing the Scanner

Unlocking the Scanner

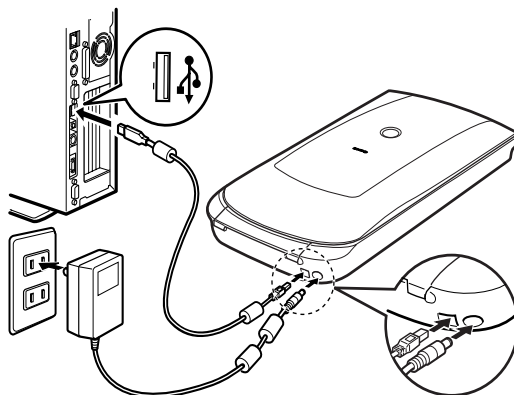
- 1 Peel the seals off the scanner.
- 2 Slide the lock switch on the bottom of the scanner toward the unlock mark (🔓).



- Do not tilt the scanner more than 90 degrees from horizontal when releasing the lock.
- Handle the scanner with both hands. Be careful not to drop the scanner.
- Always lock the scanner when carrying or transporting it.
- When locking the scanner, do not lift up the back and tilt the front (scanner button location) downward. You may be unable to set the lock.

Connecting the Scanner

- 1 Connect the scanner to your computer with the supplied USB cable.
- 2 Connect the supplied AC adapter to the scanner, and then plug in.




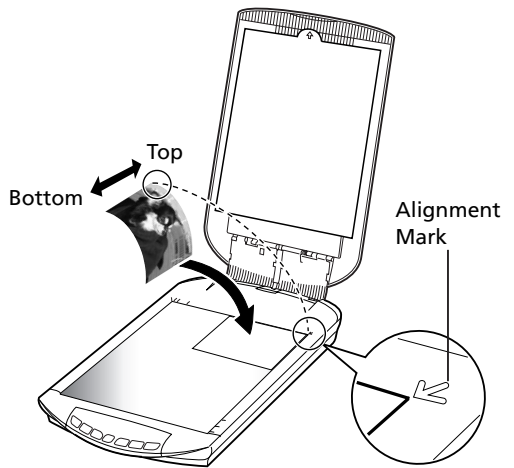
- Only use the USB cable and the AC adapter provided with the scanner. Use of other cables or adapters may lead to a malfunction.
- When the scanner is connected to the USB 1.1 port on Windows XP and "HI-SPEED USB Device Plugged into non-HI-SPEED USB Hub" message appears, ignore the message. The scanner operates in this condition without problems.
- The scanner does not have a power switch. The power is activated as soon as the AC adapter is plugged in.

Try Scanning

This section explains the basic scanning procedures using the image editing program, ArcSoft PhotoStudio, and the scanner driver, ScanGear.

- 1 Place a document on the document glass and close the document cover.

 When opening the document cover, support it with your hand until it stops.



- 2 Start ArcSoft PhotoStudio.
For Windows: Select [start] - [(All) Programs] - [ArcSoft PhotoStudio 5.5], then click [PhotoStudio 5.5].
For Macintosh: Open [Applications] - [PhotoStudio] folders, then double-click the [PhotoStudio] icon.


- 3 From the [File] menu, click [Select Source] and select the scanner model.
For Windows: Do not select the one that includes [WIA] in the model name.

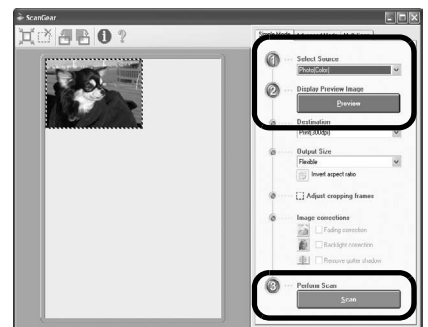
- 4 Click the [Acquire] icon  to start ScanGear.

- 5 Select the type of document you are scanning in [Select Source] and click [Preview].

- 6 Set [Destination] and/or [Output Size] as needed.

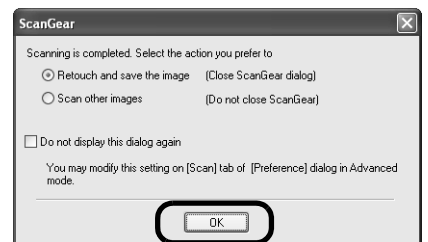
- 7 Click [Scan] to start scanning.


 Do not touch the scanner while it is operating.



- 8 When prompted to close ScanGear, click [OK].

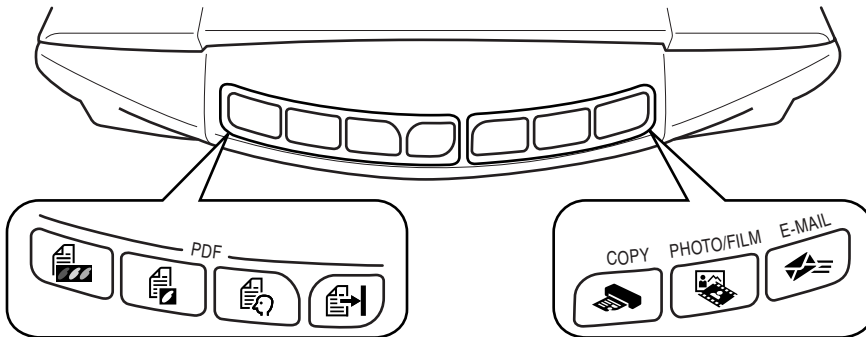
- 9 Save the scanned image in ArcSoft PhotoStudio and close the window.



•For more information on scanning using ScanGear, bundled applications, and troubleshooting, see the on-screen manual *Scanning Guide*. To open the *Scanning Guide*, double-click the Scanning Guide icon on the desktop, or click on  in ScanGear or CanoScan Toolbox.

Using the Scanner Buttons

Scanner buttons allow you to copy, scan, e-mail, and save scanned images in PDF format with a press of a button. Simply place your document on the scanner, and then press the scanner button for the required function. For more information, see the *Scanning Guide*.



PDF Buttons

PDF buttons allow you to easily create PDF files according to your needs. Note that these buttons are not labeled on the scanner.



COLOR Button

Scans color images in A4 or Letter size* at 300 dpi.



BLACK & WHITE Button

Scans black & white images in A4 or Letter size* at 300 dpi.



CUSTOM Button

Scans images in user-specified settings.



FINISH Button

Ends the operation and saves the scanned image in a PDF file.

*The size may differ depending on your system environment.



COPY Button

Prints (copies) the scanned image with a printer.



PHOTO/FILM Button

Opens the scanned image in the bundled application program, ArcSoft PhotoStudio.



E-MAIL Button

Attaches the scanned image to a new e-mail message.

The first time you press this button, you will be prompted to select the e-mail program to use with this function.

• Before using scanner buttons, make sure that all the software programs are installed on your computer using the [Easy Install] option of the CanoScan Setup Utility program. See "Installing the Software" on page 2.

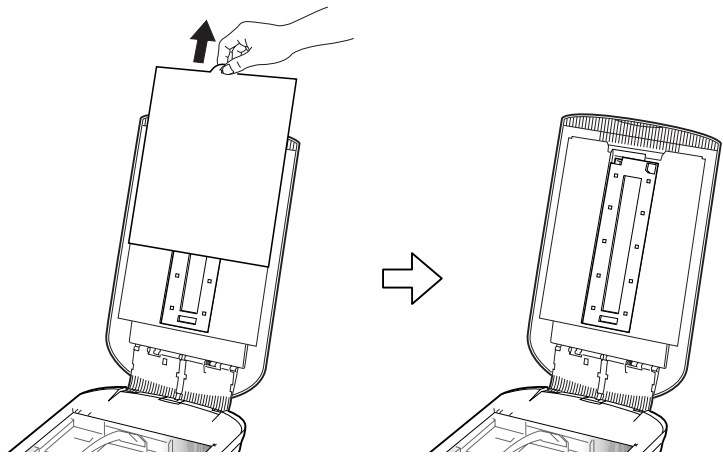
• **For Mac OS X 10.3 and 10.2.8:** Before using the scanner buttons, you need to set Image Capture (in [Applications] folder) to open CanoScan Toolbox automatically when a scanner button is pressed. Start Image Capture, and then perform the following.
 - Mac OS X 10.3: Click [Options] and select CanoScan Toolbox in [When a scanner button is pressed, open:].
 - Mac OS X 10.2.8: Select [Other] in [When a scanner button is pressed, open:]. Select CanoScan Toolbox and click [Open]. Click [OK] and quit Image Capture. For more information, see "Troubleshooting" in the *Scanning Guide*.

Scanning Film

This scanner can scan 35 mm film (film strip or slide). Follow the procedure below when scanning film.

1 Remove the protective sheet from the document cover.

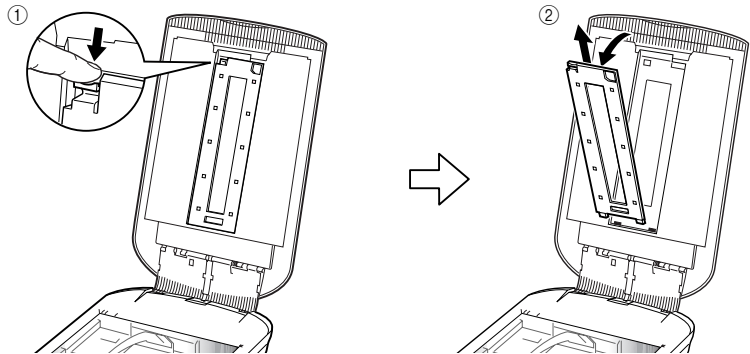
When you finish scanning, put the protective sheet back by aligning it with the grooves in the document cover and sliding it downward into place.



Always put the protective sheet back when you are not scanning film to protect the light source in the document cover.

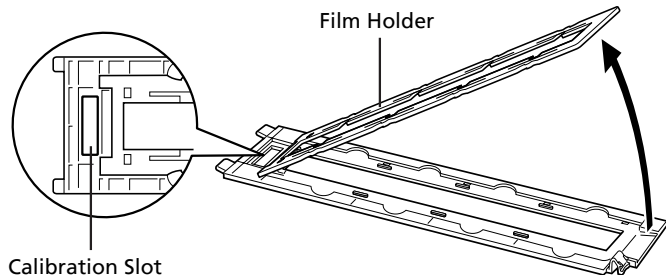
2 Remove the Film Guide from the document cover.

Hold the document cover so that it doesn't close, then ① press down and hold the tab at the Film Guide's top left and ② tilt the Film Guide outward to lift it up.



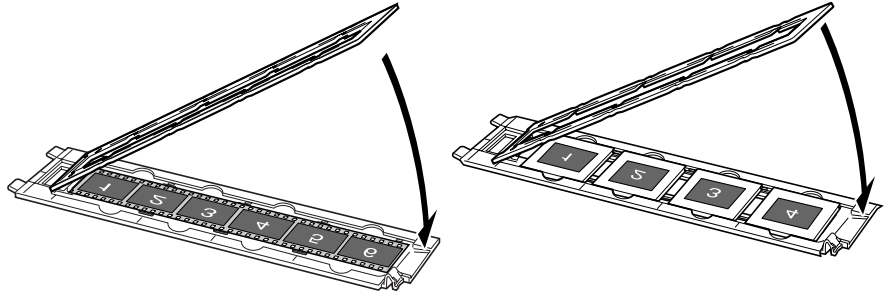
3 Open the Film Holder.

Pinch the both side of the Film Holder to open.



4 Insert the film into the Film Guide.

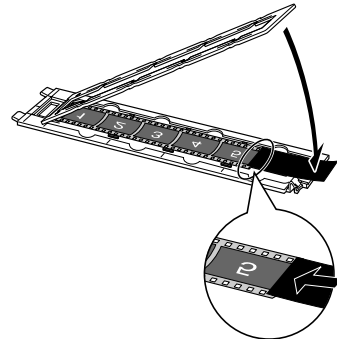
Place the film face down with the frames in reverse order.



- Use a blower brush to remove any dust from the film, which will affect the image quality, and take care to hold the film by its edges to avoid transferring dirt or fingerprints to it.
- Do not block the calibration slot on the Film Guide when scanning film. Colors will not be scanned correctly if the calibration slot is obstructed.
- Close the Film Guide securely. Press lightly until it clicks into place.

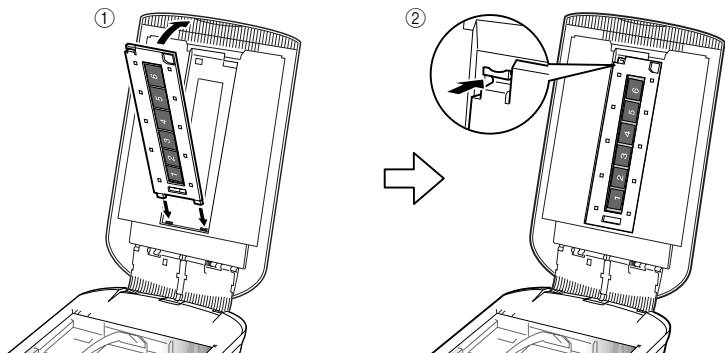
How to Use the Shield

When scanning short or curled film, extra light may enter through gaps and produce bands of color around the edges of the scanned image. If this occurs, use the supplied shield as shown in the figure.



5 Set the Film Guide to the document cover, and close the document cover.

Hold the document cover and ① insert the bottom edge of the Film Guide into the bottom groove in the document cover, and then ② tilt the top of the Film Guide up into the document cover until it locks securely into place with a click.



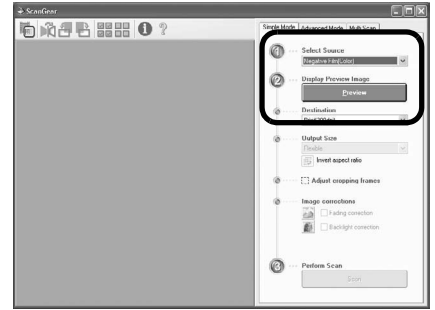
Scanning Film

6 Start ArcSoft PhotoStudio, then start ScanGear.
Follow the steps 2 to 4 in "Try Scanning" on page 4.

7 Select [Negative Film (Color)] or [Positive Film (Color)] in [Select Source] to match the type of film you are scanning, then click [Preview].

8 Place a check mark beside the number(s) of the frame(s) you want to scan. Perform image corrections as needed.

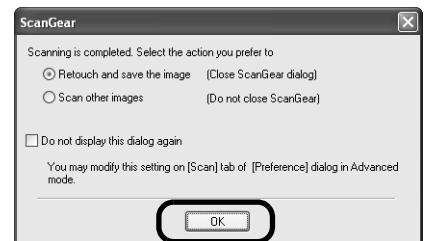
9 Click [Scan] to start scanning.



Do not touch the scanner while it is operating.

10 When prompted to close ScanGear, click [OK].

11 Save the scanned image in ArcSoft PhotoStudio and close the window.



- Do not leave the film strip in the film guide for an extended period of time as heat from the unit may damage the film.
- For more information on scanning film, see "Scanning Film" in the *Scanning Guide*.

Specifications

Scanner Type		Flatbed
Scanning Element		CCD 6-line color
Light Source		Cold cathode fluorescent lamp
Optical Resolution * ¹		4800 x 9600 dpi
Selectable Resolution		25–19200 dpi (ScanGear)
Scanning Bit Depth	Color	48 bit input (16 bit for each color) 48 bit or 24 bit output (16 bit or 8 bit for each color)
	Grayscale	48 bit input (16 bit for each color) 16 bit * ² or 8 bit output
Scanning Speed * ³ (Photo or Document)	Color	7.7 msec./line (2400 dpi), 14.8 msec./line (4800 dpi)
	Grayscale, B&W	7.7 msec./line (2400 dpi), 14.8 msec./line (4800 dpi)
Scanning Speed * ³ (Film)		7.4–74.0 msec./line
Preview Speed * ³ * ⁴		Approximately 5 sec.
Interface		USB 2.0 Hi-Speed
Maximum Document Size		A4/Letter: 216 x 297 mm
Film Type/Number of Frames		35 mm strip (6 frames max)/35 mm slide (4 frames max)
Scanner Buttons		7 buttons (PDF x 4, COPY, PHOTO/FILM, E-MAIL)
Operating Range	Temperature	10°C to 35°C (50°F to 95°F)
	Humidity	10% to 90% RH, 20% to 80% RH for film scanning without condensation formation
Power Requirements		AC adapter (100/120/230/240V)* ⁵
Power Consumption		In operation: 17 watts maximum, Stand-by: 4 watts (Using supplied AC adapter)
Maximum Exterior Dimensions		259 x 474 x 83 mm
Weight		Approximately 2.8 kg
Optional Accessory Kit		Accessory Kit CSAK-4400F

*¹ Optical Resolution represents the maximum sampling rate based on ISO 14473.

*² For film scanning only.

*³ The fastest speed in USB 2.0 Hi-Speed mode on Windows PC. Transfer time is not included. Scanning speed varies according to the document types, scan settings, or specifications of the computer.

*⁴ Calibration processing time is not included.

*⁵ AC adapter type varies according to the region in which the scanner is purchased.

- Specifications are subject to change without notice.

Model Number: K10293 (CanoScan 4400F)

European Union (and EEA) only.



This symbol indicates that this product is not to be disposed of with your household waste, according to the WEEE Directive (2002/96/EC) and your national law. This product should be handed over to a designated collection point, e.g., on an authorized one-for-one basis when you buy a new similar product or to an authorized collection site for recycling waste electrical and electronic equipment (EEE). Improper handling of this type of waste could have a possible negative impact on the environment and human health due to potentially hazardous substances that are generally associated with EEE. At the same time, your cooperation in the correct disposal of this product will contribute to the effective usage of natural resources. For more information about where you can drop off your waste equipment for recycling, please contact your local city office, waste authority, approved WEEE scheme or your household waste disposal service. For more information regarding return and recycling of WEEE products, please visit www.canon-europe.com/environment.

(EEA: Norway, Iceland and Liechtenstein)

For Customers in Europe, Middle-East, Africa and Russia only

For Canon Customer Support contacts, please see the back cover of the European Warranty System (EWS) Booklet or visit www.canon-europe.com.

The socket-outlet shall be installed near the equipment and shall be easily accessible.

Warning

When you use this product, you should pay attention to the following legal issues:

- Scanning of certain documents, such as bank notes (bank bills), government bonds and public certificates, may be prohibited by law and may result in criminal and/or civil liability.
- You may be required under law to obtain authorization from a person possessing copyrights or other legal rights to the item being scanned.

If you are uncertain of the legality of scanning any particular item, you should consult your legal adviser in advance.

- Adobe® and Adobe® RGB (1998) are either registered trademarks or trademarks of Adobe Systems Incorporated in the United States and/or other countries.
- Microsoft® and Windows® are either registered trademarks or trademarks of Microsoft Corporation in the U.S. and/or other countries.
- Macintosh, Mac and the Mac logo are trademarks of Apple Computer, Inc., registered in the U.S. and other countries.
- ©ArcSoft, Inc. All rights reserved for PhotoStudio.
- Other names and products not mentioned above may be registered trademarks or trademarks of their respective companies.

CanoScan 4400F

快速入门指南

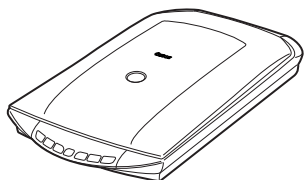
操作此扫描仪之前请阅读本指南。阅读完本指南后，请将其放在安全处以备将来参考。

目录

包装内的物品	1	使用扫描仪按钮.....	5
安装软件	2	扫描胶片.....	6
准备扫描仪	3	规格.....	9
测试扫描	4		

包装内的物品

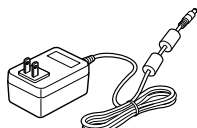
扫描仪和附件



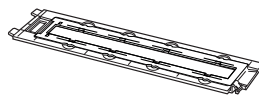
扫描仪



USB 电缆



交流适配器



胶片导板 *
(使用 35mm 胶片条 / 幻灯片)
* 内置于文件盖中



防护罩

文档

- 快速入门指南 (本说明书)
- 附加文档

CanoScan 安装光盘

• 软件程序

- ScanGear (扫描仪驱动程序)
- CanoScan Toolbox
- ArcSoft PhotoStudio
- Presto! PageManager (仅限于 Windows)
- RosettaStone*(Windows)/OmniPage SE (Macintosh)
- Adobe RGB (1998) (仅限于 Windows)

* 不支持 Windows 98 第一版

• 电子手册

- 扫描指南 (包含 ScanGear、CanoScan Toolbox 和疑难解答)
- 绑定应用程序的手册

- 在本指南中，使用 Windows XP 的屏幕截图说明所有操作系统的共同之处。

安装软件



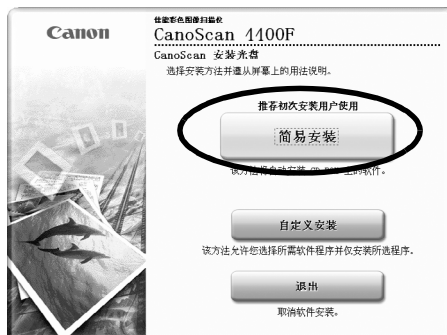
- 安装软件之前请勿将扫描仪与计算机连接。如果连接了扫描仪并出现“找到新的硬件向导”，请单击 [取消]。
- 在安装之前请退出所有正在运行的应用程序，包括杀毒软件。
- 对于 Windows 2000/XP，安装软件时请使用管理员用户名登录。

1 将 CanoScan 安装光盘装入驱动器。

如有提示，请选择语言和居住地。CanoScan 安装程序启动。

- 对于 Macintosh：双击 [Setup]（安装）图标。在授权对话框中输入管理员用户名和密码。

2 在主菜单上单击 [简易安装]。

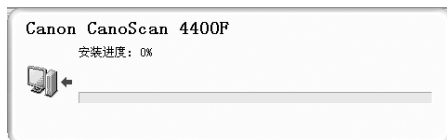


3 单击 [安装] 以启动安装。

请仔细阅读许可协议，然后单击 [是] 继续安装。所有软件程序和电子手册都将安装到计算机上。



4 关于绑定的应用程序，请依照电子手册的说明执行安装。




5 安装完成后，单击 [重新启动] 以重新启动计算机。

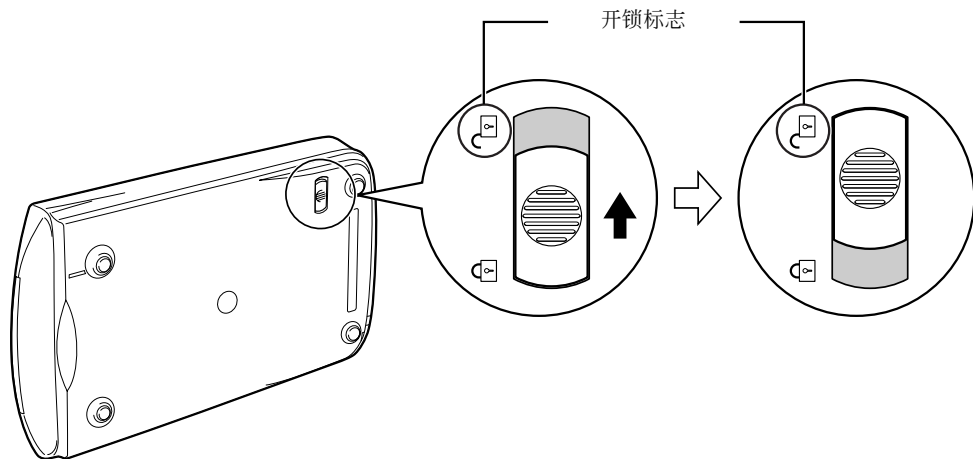


- 必须从驱动器中取出光盘并将其存放在安全的地方。
- 如果在安装过程中遇到问题，请参阅 *扫描指南* 中的“疑难解答”。
- 如果将来把操作系统升级为 Windows XP，应重新安装该软件。
- 对于某些语言，扫描指南位于光盘中的 [Manual] 文件夹。

准备扫描仪

打开扫描仪的锁扣

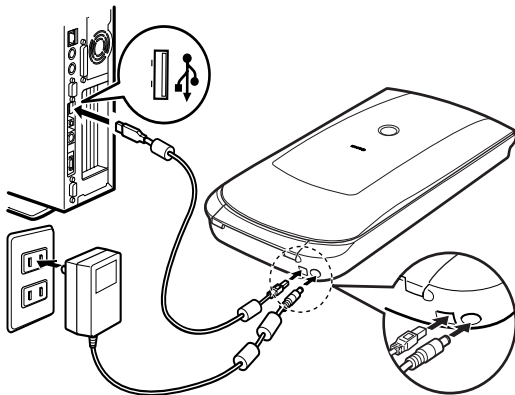
- 1 撕下扫描仪上的各个封条。
- 2 将扫描仪底部的锁定开关滑向开锁标志的一侧（）。



- 释放锁扣时请勿将扫描仪从水平位置倾斜 90 度以上。
- 用双手扶持扫描仪。务必小心切不可将扫描仪跌落。
- 当搬动或运输扫描仪时请始终将其锁定。
- 在锁定扫描仪时，请勿抬起扫描仪后端而使其前端（扫描仪按钮所在位置）向下倾斜。锁扣可能无法设定。

连接扫描仪

- 1 用随机提供的 USB 电缆将扫描仪连接至计算机。
- 2 将随机提供的交流适配器连接至扫描仪，然后插上插头。



- 仅可使用随扫描仪提供的 USB 电缆和交流适配器。使用其他电缆或适配器可能导致故障。
- 在 Windows XP 操作系统中将扫描仪连接至 USB 1.1 端口，并出现“HI-SPEED USB Device Plugged into non-HI-SPEED USB Hub”信息时，请忽略此信息。在此情况下，仍可正常操作扫描仪。
- 扫描仪没有电源开关。一插上交流适配器电源便启动。

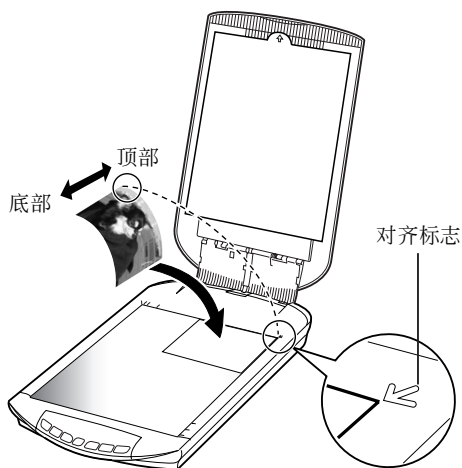
测试扫描

此部分介绍了使用图像编辑程序（ArcSoft PhotoStudio）以及扫描仪驱动程序（ScanGear）的基本扫描步骤。

1 将原稿置于玻璃稿台上并合上文件盖。



打开文件盖时，用手扶持直至其停止。



2 启动 ArcSoft PhotoStudio。

对于 Windows：选择 [开始] - [（所有）程序] - [ArcSoft PhotoStudio 5.5]，然后单击 [PhotoStudio 5.5]。

对于 Macintosh：打开 [Applications]（应用程序）- [PhotoStudio] 文件夹，然后双击 [PhotoStudio] 图标。

3 从 [文件] 菜单中单击 [选择来源] 以选择扫描仪型号。

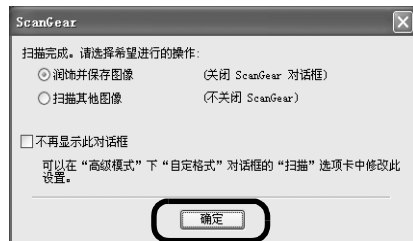
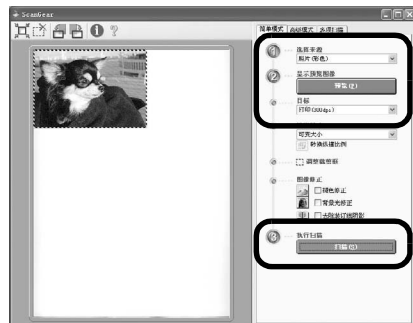
对于 Windows：请勿选择型号名称中包含 [WIA] 的型号。

4 单击 [获取] 图标 以启动 ScanGear。

5 在 [选择来源] 中选择要扫描的文件类型然后单击 [预览]。

6 必要时设定 [目标] 和 / 或 [输出尺寸]。


7 单击 [扫描] 以启动扫描。



操作时切勿触摸扫描仪。

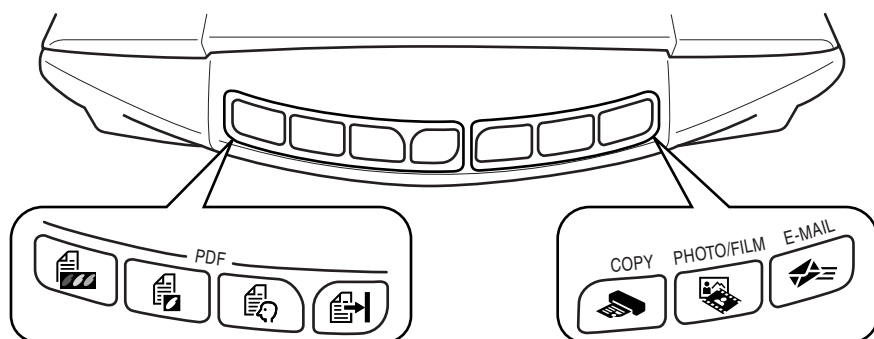
8 当提示关闭 ScanGear 时，单击 [确定]。

9 在 ArcSoft PhotoStudio 中保存扫描图像并关闭窗口。

• 关于使用 ScanGear 进行扫描、绑定的应用程序以及疑难解答的更多信息，请参阅电子手册 *扫描指南*。要打开 *扫描指南*，请双击桌面上的扫描指南图标，或者在 ScanGear 或 CanoScan Toolbox 中单击 。

使用扫描仪按钮

扫描仪按钮提供了通过按某个按钮即可进行复制、扫描、发电子邮件以及以PDF格式保存扫描图像的功能。只需简单地将文件放在扫描仪上，然后按扫描仪按钮即可获得所需的功能。更多信息，请参阅*扫描指南*。



PDF 按钮

PDF 按钮使您可根据需要轻松创建 PDF 文件。请注意，这些按钮在扫描仪上未用标签标记。

COLOR 按钮

以 300dpi 扫描 A4 或 “Letter” 尺寸* 的彩色图像。

BLACK & WHITE 按钮

以 300 的速度扫描 A4 或 “Letter” 尺寸* 的黑白图像。

CUSTOM 按钮

采用用户指定的设置扫描图像。

FINISH 按钮

结束操作并将扫描图像保存到 PDF 文件。

* 上述尺寸可能会因系统环境而异。

COPY 按钮

用打印机打印（复制）扫描图像。

PHOTO/FILM 按钮

在绑定的应用程序 ArcSoft PhotoStudio 中打开扫描图像。

E-MAIL 按钮

将扫描的图像附加至新建的电子邮件信息中。第一次按此按钮，将提示选择使用此功能的电子邮件程序。

• 在这些使用扫描仪按钮之前，必须事先使用 CanoScan 安装程序中的 [简易安装] 选项在计算机上安装所有软件程序。请参阅第 2 页上的“安装软件”。

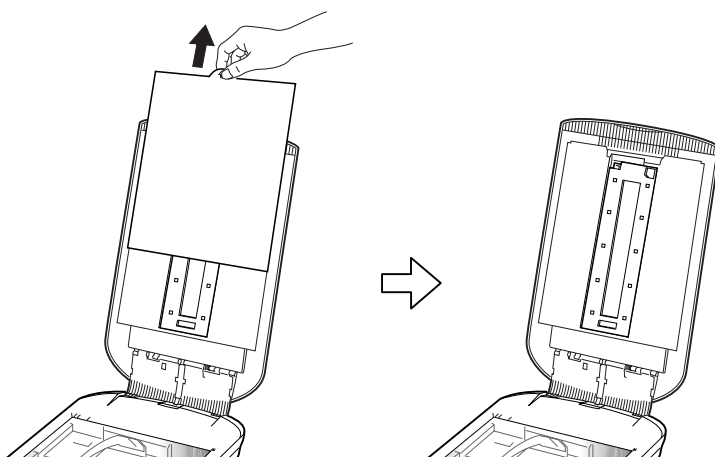
• 对于 Mac OS X 10.3 和 10.2.8：在使用扫描仪按钮之前，必须先将 Image Capture（图像捕捉）（在 [Applications]（应用程序）文件夹中）设定为按下扫描仪的某个按钮后自动打开 CanoScan Toolbox。启动 Image Capture（图像捕捉），然后执行下列操作。

- Mac OS X 10.3：单击 [Options]（选项）并在 [When a scanner button is pressed, open:]（当按下扫描仪的某个按钮时，打开：）中选择 CanoScan Toolbox。
- Mac OS X 10.2.8：在 [When a scanner button is pressed, open:]（当按下扫描仪的某个按钮时，打开：）中选择 [Other]（其他）。选择 CanoScan Toolbox 并单击 [Open]（打开）。单击 [OK]（确定）然后退出 Image Capture（图像捕捉）。更多信息，请参阅*扫描指南*中的“疑难解答”。

扫描胶片

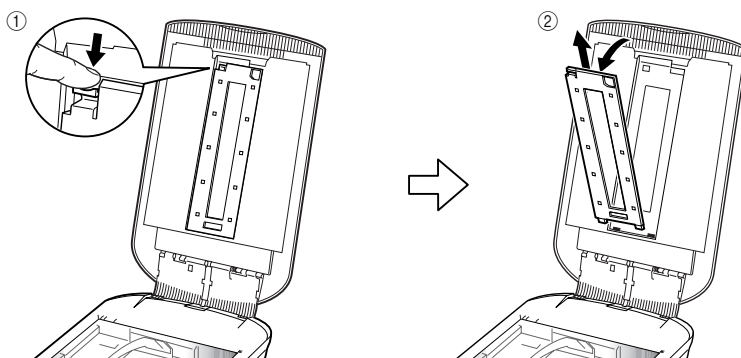
此扫描仪可扫描 35 mm 胶片（胶片条或幻灯片）。扫描胶片时请依照下述步骤：

- 1** 从文件盖上移去保护片。
结束扫描后，将保护片对准文件盖内的插槽并滑下至原位。

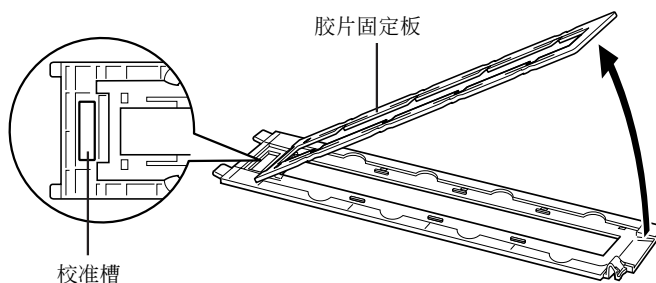


不扫描胶片时，应始终将保护片放回原位以保护文件盖中的光源。

- 2** 从文件盖上移开胶片导板。
用手握住文件盖以免其合上，然后 ① 按住胶片导板顶部左边的突出部分不放并且 ② 将胶片导板向外倾斜以将其向上抬起。

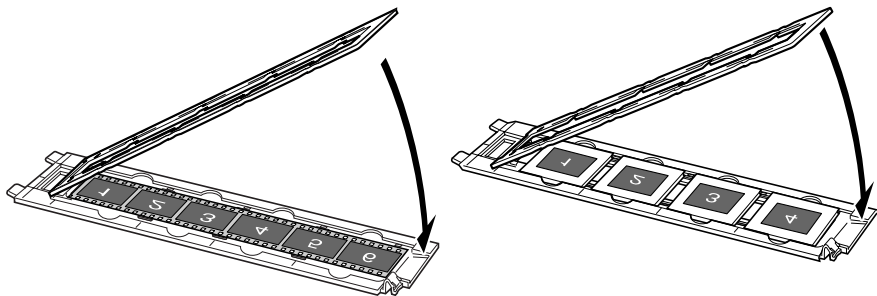


- 3** 打开胶片固定板。
夹住胶片固定板的两边将其打开。



4 将胶片插入胶片导板。

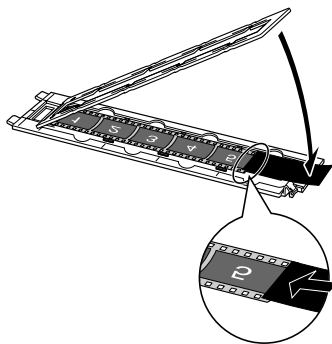
将胶片按照画面相反顺序面朝下放置。



- 使用吹风刷拭去胶片上的任何灰尘，这些灰尘会影响图像质量，并小心地拿着胶片边缘避免污物或手印沾在胶片上。
- 扫描胶片时请勿堵塞胶片导板上的校准槽。如果校准槽被堵塞则无法正确扫描色彩。
- 牢牢地盖上文件盖。轻轻地按住文件盖直至其发出喀嗒一声卡到位。

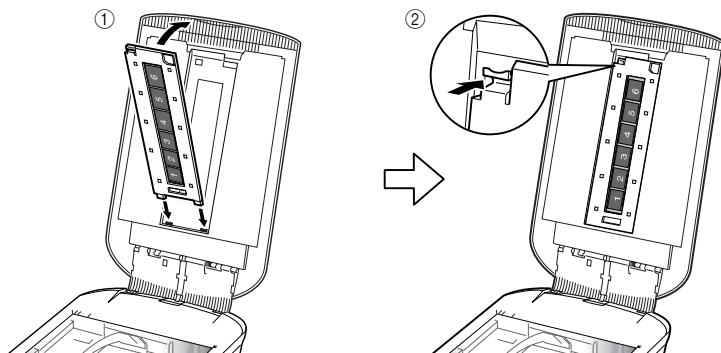
如何使用防护罩

当扫描短小或卷曲的胶片时，额外的光线可能会通过间隙进入并在扫描图像四周产生彩色镶边。如果发生此类现象，可使用下图所示的随机提供的防护罩。



5 将胶片导板放进文件盖中，并合上文件盖。

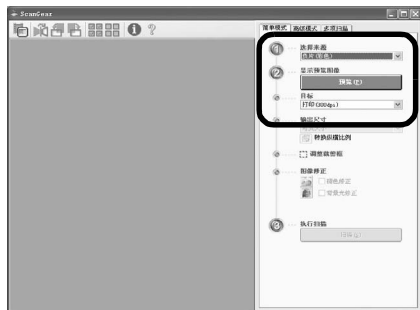
握住文件盖并且 ① 将胶片导板的底部边缘插入文件盖上的底部插槽，然后 ② 将胶片导板顶部向上倾斜放入文件盖直至其发出喀嗒一声牢牢地锁到位。



6 启动 ArcSoft PhotoStudio，然后启动 ScanGear。

依照第 4 页上“测试扫描”中的第 2 步到第 4 步进行操作。

7 在 [选择来源] 中选择 [底片(颜色)] 或 [正片(颜色)] 以匹配要扫描的胶片类型，然后单击 [预览]。



8 在要扫描的（单个或多个）画面（一个或多个）数量旁勾上复选标记。必要时可执行图像修正。

9 单击 [扫描] 以启动扫描。

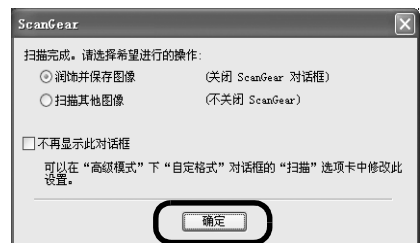


操作时切勿触摸扫描仪。



10 当提示关闭 ScanGear 时，单击 [确定]。

11 在 ArcSoft PhotoStudio 中保存扫描图像并关闭窗口。



- 切勿使胶片条在胶片导板中滞留时间过长，否则本机产生的热量可能会损坏胶片。
- 关于扫描胶片的更多信息，请参阅 *扫描指南* 中的“扫描胶片”。

规格

扫描仪类型		平台型
扫描元件		CCD 6 行彩色
光源		阴极冷荧光灯
光学分辨率 ^{*1}		4800 x 9600 dpi
可选分辨率		25–19200 dpi (ScanGear)
扫描位深度	彩色	48 位输入 (各颜色 16 位) 48 位或 24 位输出 (各颜色 16 位或 8 位)
	灰度	48 位输入 (各颜色 16 位) 16 位 ^{*2} 或 8 位输出
扫描速度 ^{*3} (照片或文档)	彩色	7.7 msec./线 (2400 dpi), 14.8 msec./线 (4800 dpi)
	灰度, 黑白	7.7 msec./线 (2400 dpi), 14.8 msec./线 (4800 dpi)
扫描速度 ^{*3} (胶片)		7.4–74.0 msec/线
预览速度 ^{*3*4}		约 5 秒
接口		USB 2.0 Hi-Speed
最大文档大小		A4/Letter: 216 x 297 mm
胶片类型 / 照片数量		35 mm 胶片条 (最多 6 幅照片) / 35 mm 胶片条 (最多 4 幅照片)
扫描仪按钮		7 个按钮 (PDF 4 个, COPY、PHOTO/FILM 和 E-MAIL)
作业范围	温度	10°C 至 35°C (50°F 至 95°F)
	湿度	10% 至 90% RH, 扫描胶片时为 20% 至 80% RH (无湿气凝结)
电源要求		交流适配器 (100/120/230/240V) ^{*5}
功率消耗		运行中: 最大 17 瓦, 待机时: 4 瓦 (使用随机提供的交流适配器)
最大外部尺寸		259 x 474 x 83 mm
重量		约 2.8 kg
选购的成套附件		成套附件 CSAK-4400F

^{*1} 光学分辨率指基于 ISO 14473 标准的最大取样率。

^{*2} 仅适用于胶片扫描。

^{*3} Windows 计算机上 USB 2.0 Hi-Speed 模式中的最快速度。不包括传输时间。扫描速度因文档类型、扫描设置或计算机规格不同而变化。

^{*4} 不包括校准处理时间。

^{*5} 交流适配器的类型因扫描仪购买地的不同而不同。

- 规格若有变更, 恕不另行通知。

插座必须安装于此设备附近且应易于插拔。

警告

使用此产品时，请注意以下法律方面的事项：

- 对银行票据（银行账单）、政府债券和公用证书等文件的扫描可能受法律禁止且可能引起刑事和 / 或民事责任。
- 按照法律，您可能需要获得扫描文件的版权及其他合法权利持有人的许可。

如若不确定对某个特定项目进行扫描是否具有合法性，可事先垂询您的法律顾问。

- Adobe® 和 Adobe® RGB (1998) 是 Adobe Systems Incorporated 在美国和 / 或其他国家的注册商标或商标。
- Microsoft® 和 Windows® Microsoft Corporation 在美国和 / 或其他国家的注册商标或商标。
- Macintosh、Mac 和 Mac 标志是 Apple Computer, Inc. 在美国和其他国家的商标。
- ©ArcSoft, Inc. 保留 PhotoStudio 的所有权利。
- 上述未提及的其他名称和产品也可能是其各自公司的注册商标或商标。

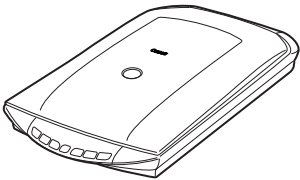
시작하기

스캐너를 사용하기 전에 본 설명서를 읽어 주십시오. 모두 읽으신 후에는 나중에 참조할 수 있도록 안전한 장소에 보관해 주십시오.

목차	
포장 내용물 확인	1
소프트웨어 설치	2
스캐너 준비	3
스캐닝 테스트	4
스캐너 버튼 사용	5
필름 스캔	6
제품 사양	9

이동

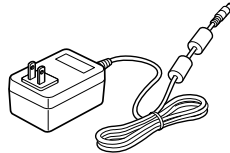
포장 내용물 확인 스캐너 및 액세서리



스캐너



USB 케이블



직류전원장치



필름 가이드*
(35mm 필름 스트립/슬라이드)
*원고대 뒷개에 장착됨



슬라이드

설명서

- 시작하기(본 설명서)
- 부가 설명서

CanoScan 설치 유틸리티 CD-ROM

- 소프트웨어 프로그램
 - ScanGear(스캐너 드라이버)
 - CanoScan Toolbox
 - ArcSoft PhotoStudio
 - Presto! PageManager*(Windows 전용)
 - ScanSoft OmniPage SE*(Macintosh 전용)
 - Adobe RGB(1998) (Windows 전용)
- * 영문으로 설치됨

전자 매뉴얼

- 스캔 가이드(ScanGear, CanoScan Toolbox용 및 문제점 해결용)
 - 번들형 응용 프로그램 매뉴얼
- 이 설명서에서는 Windows XP의 화면을 예로 들어 설명하였으며, 설명 내용은 모든 운영 체제에 똑같이 적용됩니다.

소프트웨어 설치



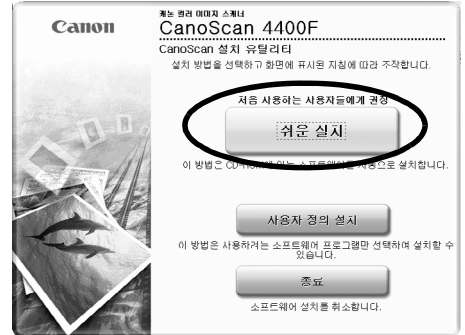
- 소프트웨어를 설치하기 전에 컴퓨터에 스캐너를 연결하지 마십시오. 스캐너를 연결하고 새 하드웨어 검색 마법사가 나타나면 [취소]를 클릭합니다.
- 설치하기 전에 바이러스 검사 소프트웨어를 포함한 실행 중인 모든 어플리케이션을 종료합니다.
- Windows 2000/XP를 사용할 경우 관리자로 로그인하여 소프트웨어를 설치합니다.

1 드라이브에 CanoScan 설치 유틸리티 CD-ROM을 넣습니다.

메시지가 표시되면 언어와 거주지를 선택합니다. CanoScan 설치 유틸리티 프로그램이 시작됩니다.

- Macintosh의 경우: [SetUp](설치) 아이콘을 두 번 클릭합니다. 인증 대화 상자에 관리자 ID와 암호를 입력합니다.

2 기본 메뉴에서 [쉬운 설치]를 클릭합니다.



3 설치를 시작하려면 [설치]를 클릭합니다.

라이선스 계약서를 주의 깊게 읽은 다음 [예]를 클릭하여 계속 진행합니다. 모든 소프트웨어 프로그램과 전자 매뉴얼이 컴퓨터에 설치됩니다.



4 번들형 응용 프로그램의 경우 화면 상의 지침을 따라 설치를 수행합니다.



5 설치가 완료되면 [다시 시작]을 클릭하여 컴퓨터를 다시 시작합니다.

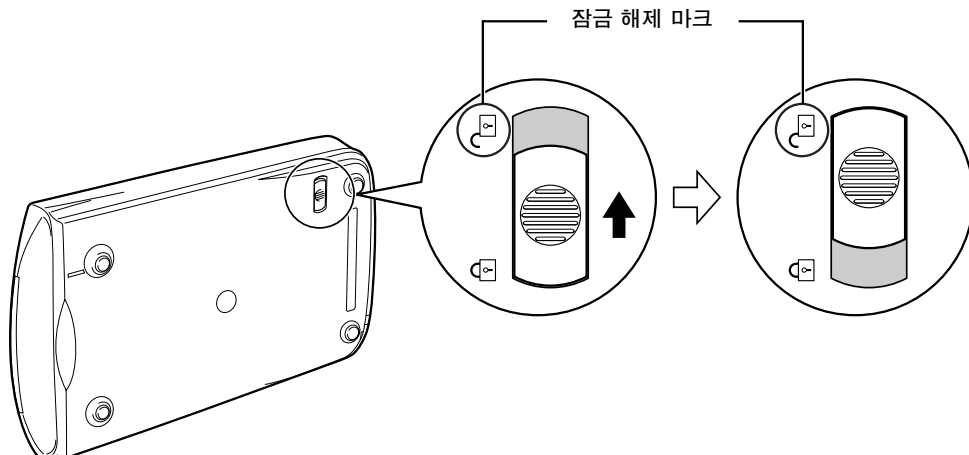


- 드라이브에서 CD-ROM을 꺼내어 안전한 곳에 보관합니다.
- 설치 중 문제가 발생한 경우 *스캔 가이드*의 "문제점 해결"을 참조하십시오.
- 이후에 OS를 Windows XP로 업그레이드하는 경우 소프트웨어를 다시 설치합니다.
- 일부 언어의 경우에는 스캔 가이드가 CD-ROM의 [Manual] 폴더에 들어 있습니다.

스캐너 준비

스캐너의 잠금 해제

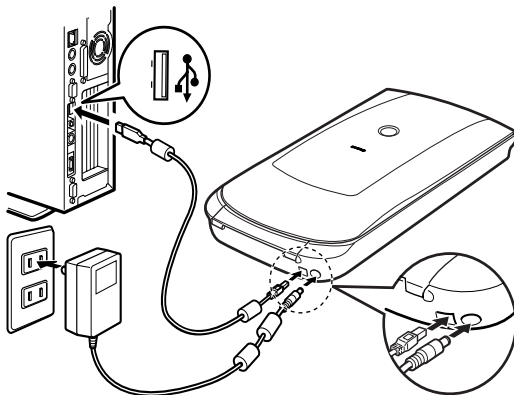
- 1 스캐너의 포장을 벗깁니다.
- 2 스캐너 바닥의 잠금 스위치를 잠금 해제 마크(🔓) 쪽으로 밀니다.



- 잠금을 해제할 때 스캐너를 수평 위치에서 90도 이상 기울이지 않도록 하십시오.
- 양손으로 스캐너를 잡고, 스캐너가 떨어지지 않도록 조심하십시오.
- 스캐너를 휴대하거나 옮길 때에는 스캐너를 항상 잠그십시오.
- 스캐너를 잠글 때 스캐너를 뒤집어 들어 앞면(스캐너 버튼 위치)이 아래로 기울어지는 일이 없도록 하십시오. 잠금을 설정하지 못할 수 있습니다.

스캐너 연결

- 1 제공된 USB 케이블을 사용하여 스캐너를 컴퓨터에 연결합니다.
- 2 제공된 직류전원장치를 스캐너에 연결한 다음 플러그를 꽂습니다.




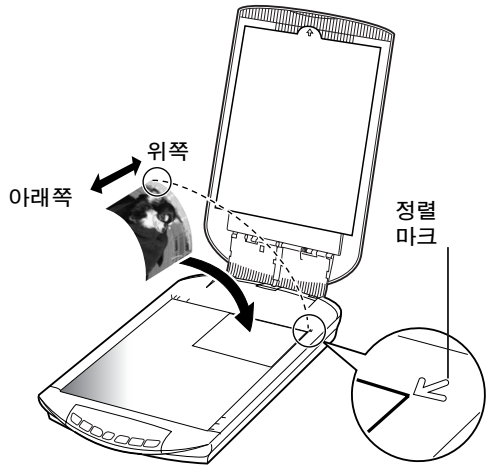
- 스캐너와 함께 제공된 USB 케이블과 직류전원장치만을 사용해야만 합니다. 다른 케이블이나 어댑터를 사용하면 기능장애가 발생할 수 있습니다.
- Windows XP에서 스캐너를 USB 1.1 포트에 연결할 때 "HI-SPEED USB 장치가 비 HI-SPEED USB 허브에 꽂혀 있음"이라는 메시지가 나타나더라도 걱정하지 마십시오. 스캐너 작동에서 아무런 문제가 없습니다.
- 스캐너에는 전원 스위치가 없습니다. 직류전원장치를 꽂는 즉시 전원이 들어옵니다.

스캐닝 테스트

이 단원에서는 ArcSoft PhotoStudio 이미지 편집 프로그램과 ScanGear 스캐너 드라이버를 사용한 기본 스캔 절차에 대해 설명합니다.


- 1 문서를 원고대 유리 위에 올려 놓고 원고대 덮개를 덮습니다.

 원고대 덮개를 열 때는 덮개가 다 열릴 때까지 덮개를 손으로 받칩니다.



- 2 ArcSoft PhotoStudio를 시작합니다.
Windows의 경우: [시작] - [(모든) 프로그램] - [ArcSoft PhotoStudio 5.5]를 차례로 선택하고 [PhotoStudio 5.5]를 클릭합니다.
Macintosh의 경우: [Applications](응용 프로그램) - [PhotoStudio] 폴더를 연 다음 [PhotoStudio] 아이콘을 두 번 클릭합니다.


- 3 [파일] 메뉴에서 [소스 선택]을 클릭하고 스캐너 모델을 선택합니다.
Windows의 경우: [WIA]가 포함된 모델 이름은 선택하지 마십시오.

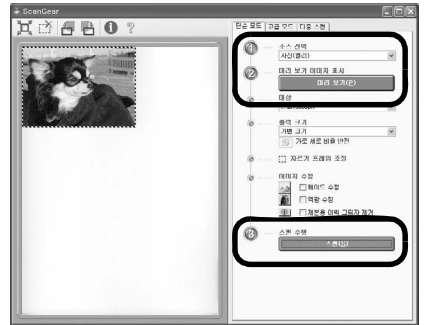
- 4 [불러오기] 아이콘  을 클릭하여 ScanGear를 시작합니다.

- 5 [소스 선택]에서 스캔 중인 문서 유형을 선택하고 [미리 보기]를 클릭합니다.

- 6 필요하면 [대상] 및/또는 [출력 크기]를 설정합니다.

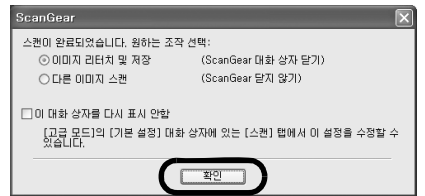
- 7 스캔을 시작하려면 [스캔]을 클릭합니다.


 작동 중에는 스캐너를 만지지 마십시오.



- 8 ScanGear를 닫으라는 메시지가 표시되면 [확인]을 클릭합니다.

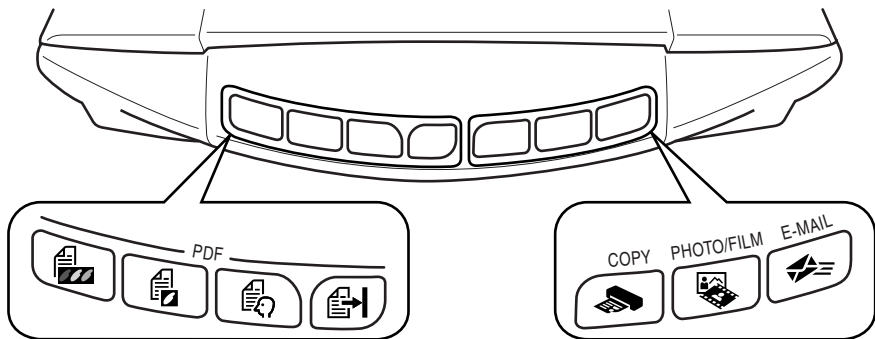
- 9 스캔한 이미지가 ArcSoft PhotoStudio에 저장되고 창이 닫힙니다.



• ScanGear를 사용한 스캔, 번들형 응용 프로그램 및 문제점 해결에 대한 자세한 내용은 *스캔 가이드* 전자 매뉴얼을 참조하십시오. *스캔 가이드*를 열려면 바탕 화면에 있는 스캔 가이드 아이콘을 두 번 클릭하거나 ScanGear 또는 CanoScan Toolbox에서  를 클릭하십시오.

스캐너 버튼 사용

스캐너 버튼을 사용하면 스캔한 이미지를 버튼 한 번만 눌러 복사, 스캔, 전자 메일 메시지에 첨부 및 PDF 형식으로 저장할 수 있습니다. 스캐너 위에 문서를 올려 놓은 다음 필요한 기능의 스캐너 버튼을 누르십시오. 자세한 내용은 *스캔 가이드*를 참조하십시오.



PDF 버튼

PDF 버튼을 사용하면 필요에 맞게 PDF 파일을 쉽게 만들 수 있습니다. 버튼 이름은 스캐너에 표시되지 않습니다.

COLOR 버튼

A4 또는 Letter 크기*에 300dpi 해상도로 컬러 이미지를 스캔합니다.

BLACK & WHITE 버튼

A4 또는 Letter 크기*에 300dpi 해상도로 흑백 이미지를 스캔합니다.

CUSTOM 버튼

사용자가 지정한 설정에 따라 이미지를 스캔합니다.

FINISH 버튼

작업을 종료하고 스캔한 이미지를 PDF 파일로 저장합니다.

* 크기는 시스템 환경에 따라 다를 수 있습니다.

COPY 버튼

스캔한 이미지를 프린터에서 인쇄(복사)합니다.

PHOTO/FILM 버튼

스캔한 이미지를 번들형 응용 프로그램인 ArcSoft PhotoStudio에서 엽니다.

E-MAIL 버튼

스캔한 이미지를 새 전자 메일 메시지에 첨부합니다. 이 버튼을 처음 누르게 되면 이 기능과 함께 사용할 전자 메일 프로그램을 선택하라는 메시지가 표시됩니다.

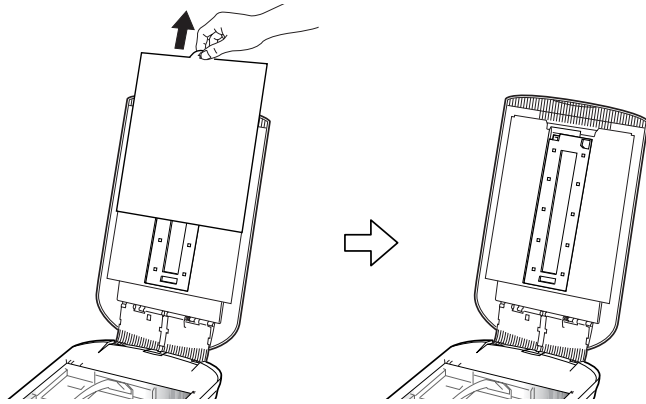
- 스캐너 버튼을 사용하기 전에 CanoScan 설치 유틸리티 프로그램의 [쉬운 설치] 옵션을 사용해 모든 소프트웨어 프로그램을 컴퓨터에 설치합니다. 2페이지의 "소프트웨어 설치"를 참조하십시오.
- Mac OS X 10.3 및 10.2.8의 경우: 스캐너 버튼을 사용하기 전에 스캐너 버튼을 누를 때 CanoScan Toolbox가 자동으로 열리도록 [Applications] 폴더에 있는 Image Capture(이미지 캡처)를 설정해야 합니다. Image Capture(이미지 캡처)를 시작하고 다음을 수행합니다.
 - Mac OS X 10.3: [Options](옵션)을 클릭하고 [When a scanner button is pressed, open:](스캐너 버튼을 누르면 열리는 항목)에서 CanoScan Toolbox를 선택합니다.
 - Mac OS X 10.2.8: [When a scanner button is pressed, open:](스캐너 버튼을 누르면 열리는 항목)에서 [Other](기타)를 선택합니다. CanoScan Toolbox를 선택하고 [Open](열기)을 클릭합니다. [OK](승인)를 클릭하고 Image Capture(이미지 캡처)를 종료합니다. 자세한 내용은 *스캔 가이드*의 "문제점 해결" 단원을 참조하십시오.

필름 스캔

이 스캐너는 35mm의 필름(필름 스트립 또는 슬라이드)을 스캔할 수 있습니다. 필름을 스캔할 때는 아래 절차를 따릅니다.

1 원고대 덮개에서 보호 시트를 빼냅니다.

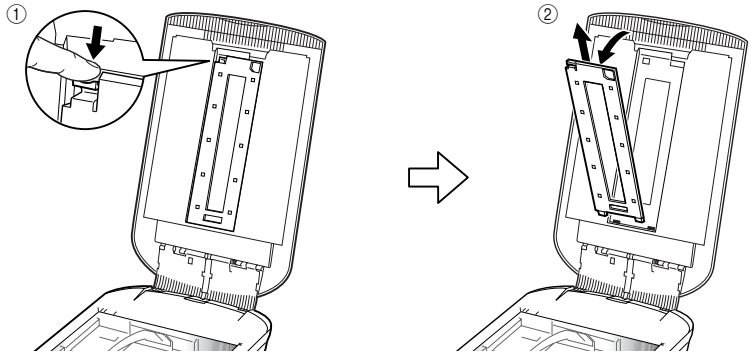
스캔이 끝나면 보호 시트를 원고대 덮개의 홈에 맞춘 다음에 제자리로 밀어 넣어 원래 위치로 되돌려 놓습니다.



필름을 스캔하지 않을 때는 항상 보호 시트를 씌워 원고대 덮개의 광원을 보호합니다.

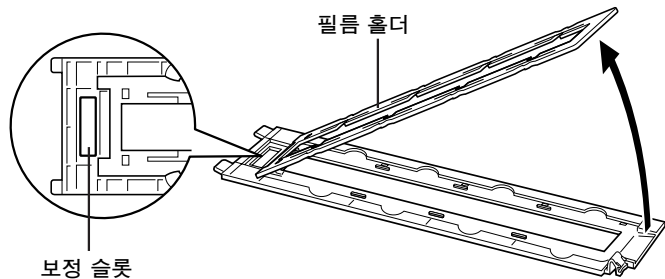
2 원고대 덮개에서 필름 가이드를 빼냅니다.

원고대 덮개가 닫히지 않도록 잡은 다음 ① 필름 가이드의 왼쪽 위에 있는 탭을 계속 누르면서 ② 필름 가이드를 바깥쪽으로 기울여 위로 올립니다.

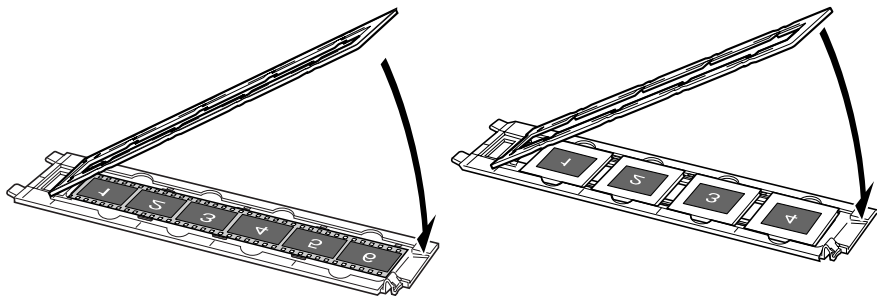


3 필름 홀더를 엽니다.

필름 홀더의 양쪽을 잡아 엽니다.



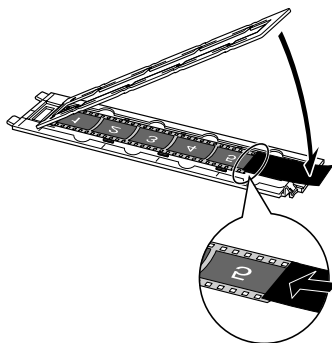
4 필름 가이드에 필름을 삽입합니다.
 프레임을 반대 순서로 하여 필름 앞면을 아래로 합니다.



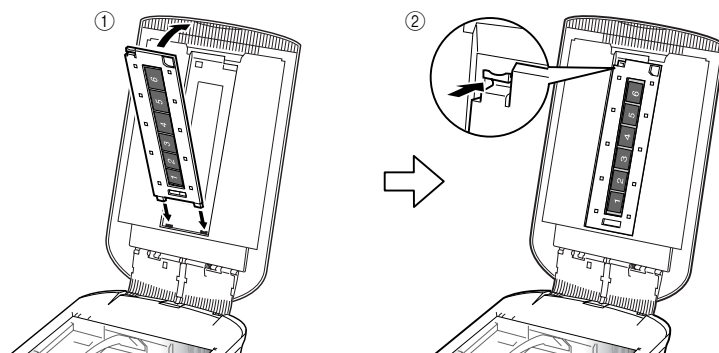
- 먼지가 묻어 있으면 이미지 품질이 나빠지므로 블로어 브러시로 필름에 묻은 먼지를 제거하고 먼지가 묻거나 지문이 찍히지 않도록 필름의 양쪽 가장자리를 잡으십시오.
- 필름을 스캔할 때 필름 가이드의 보정 슬롯을 막지 마십시오. 보정 슬롯에 이물질이 있으면 정확한 컬러로 스캔되지 않습니다.
- 필름 가이드를 안전하게 닫으십시오. 딸깍 소리가 나며 제 위치에 걸릴 때까지 살짝 누르십시오.

실드 사용 방법

단편 필름이나 돌돌 말린 필름을 스캔할 때 불빛이 틈으로 들어올 수도 있고 스캔한 이미지의 가장자리에 색깔 있는 줄이 생길 수도 있습니다. 그럴 경우 제공된 실드를 그림과 같이 사용하십시오.



5 필름 가이드를 원고대 덮개에 놓고 원고대 덮개를 닫습니다.
 원고대 덮개를 잡고 ① 필름 가이드의 아래쪽 가장자리를 원고대 덮개의 아래 홈에 삽입한 다음 ② 필름 가이드의 위쪽이 딸깍 소리가 나며 단단하게 잠길 때까지 원고대 덮개 쪽으로 기울입니다.

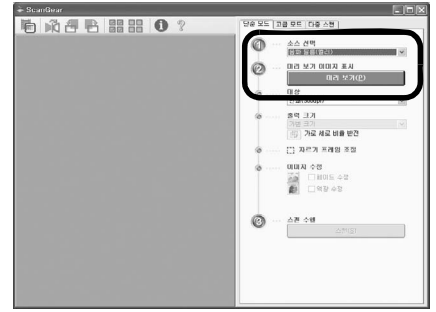



6 ArcSoft PhotoStudio를 시작한 다음 ScanGear를 시작합니다.
4페이지의 "스캐닝 테스트"에서 2 ~ 4단계를 수행합니다.

7 스캔 중인 필름 유형과 일치하도록 [소스 선택]에서 [음화 필름(컬러)] 또는 [양화 필름(컬러)]을 선택한 다음 [미리 보기]를 클릭합니다.

8 스캔할 프레임 번호 옆에 있는 확인란을 선택합니다. 필요하면 이미지 수정을 수행합니다.

9 스캔을 시작하려면 [스캔]을 클릭합니다.

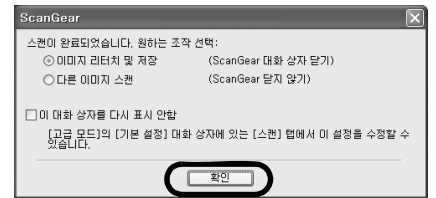



 작동 중에는 스캐너를 만지지 마십시오.



10 ScanGear를 닫으라는 메시지가 표시되면 [확인]을 클릭합니다.

11 스캔한 이미지가 ArcSoft PhotoStudio에 저장되고 창이 닫힙니다.



 • 필름 스트립을 장시간 필름 가이드에 두지 마십시오. 기기 열로 인해 필름이 손상될 수 있습니다.
• 필름 스캔에 대한 자세한 내용은 *스캔 가이드*의 "필름 스캔" 단원을 참조하십시오.

제품 사양

스캐너 유형	플랫베드	
스캐닝 요소	CCD 6라인 컬러	
광원	냉 음극 형광 램프	
광학 해상도 *1	4800 x 9600dpi	
선택 가능한 해상도	25 - 19200dpi(ScanGear)	
스캐닝 비트 심도	컬러	48비트 입력(각 컬러에 대해 16비트) 48비트 또는 24비트 출력(각 컬러에 대해 16비트 또는 8비트)
	회색조	48비트 입력(각 컬러에 대해 16비트) 16비트*2 또는 8비트 출력
스캐닝 속도*3 (사진 또는 문서)	컬러	줄당 7.7밀리초(2400dpi), 줄당 14.8밀리초(4800dpi)
	회색조, 흑백	줄당 7.7밀리초(2400dpi), 줄당 14.8밀리초(4800dpi)
스캐닝 속도*3 (필름)	줄당 7.4 - 74.0밀리초	
미리 보기 속도*3*4	약 5초	
인터페이스	USB 2.0 Hi-Speed	
최대 문서 크기	A4/Letter : 216 x 297mm	
필름 유형/프레임 수	35mm 스트립(최대 프레임 6개)/35mm 슬라이드(최대 프레임 4개)	
스캐너 버튼	7개 버튼(PDF x 4, COPY, PHOTO/FILM, E-MAIL)	
작동 범위	온도	10°C에서 35°C(50°F에서 95°F)
	습도	10% - 90% RH, 필름 스캐닝 시(비응결) 20% - 80% RH
전원 요구 사항	직류전원장치(100/120/230/240V)*5	
전력 소비량	작동 시: 최대 17와트, 대기 시: 4와트 (제공된 직류전원장치 사용 시)	
최대 외부 크기	259 x 474 x 83mm	
무게:	약 2.8kg	
액세서리 키트(옵션)	액세서리 키트 CSAK-4400F	

이동형

*1 광학 해상도는 ISO 14473을 바탕으로 한 최대 샘플링 속도를 나타냅니다.

*2 필름 스캔 시에만 적용.

*3 Windows PC의 USB 2.0 Hi-Speed 모드에서 가장 빠른 속도. 전송 시간은 포함되어 있지 않습니다. 스캔 속도는 문서 유형, 스캔 설정 또는 컴퓨터 사양에 따라 다릅니다.

*4 보정 처리 시간은 포함되어 있지 않습니다.

*5 직류전원장치 유형은 스캐너를 구입한 지역에 따라 다릅니다.

- 사양은 사전 예고없이 변경될 수 있습니다.

기종별	사용자 안내문
B급 기기(가정용 정보통신기기)	이 기기는 가정용으로 전자파적합등록을 한 기기로서 주거지역에서는 물론 모든 지역에서 사용할 수 있습니다.

콘센트가 장치 근처에 있고 쉽게 사용할 수 있어야 합니다.

경고

이 제품을 사용할 때에는 다음과 같은 법적인 문제에 주의해야 합니다.

- 은행권(지폐), 국채, 증권과 같은 특정 문서의 스캔은 법적으로 금지되어 있으며 이를 위반하는 경우 민형사상 처벌 대상이 될 수 있습니다.
- 저작권법에 따라 스캔할 항목의 저작권자 또는 기타 법적 권한을 가진 자로부터 허가를 받아야 할 경우가 있습니다. 특정 항목을 스캔하는 일이 적법한 행위인지 확실하지 않다면 먼저 법률 전문가에게 문의하십시오.

- Adobe® 및 Adobe® RGB(1998)는 미국 및/또는 기타 국가에서 Adobe Systems Incorporated의 등록 상표 또는 상표입니다.
- Microsoft® 및 Windows®는 미국 및/또는 기타 국가에서 Microsoft Corporation의 등록 상표 또는 상표입니다.
- Macintosh, Mac 및 Mac 로고는 미국 및 기타 국가에서 등록된 Apple Computer, Inc.의 상표입니다.
- ©ArcSoft, Inc. PhotoStudio에 대한 모든 권리 보유.
- 위에 언급되지 않은 기타 이름 및 제품은 해당 회사의 등록 상표 또는 상표입니다.

품질보증서

본 제품을 구입하여 주셔서 감사합니다. 보증기간 내 제조상의 결함으로 고장이 발생하였을 경우에는 본 보증서를 제시하시고 구입하신 판매점이나 폐사 고객 상담실로 연락하여 주시면 보증규정에 의거 무상으로 수리하여 드립니다.

제품을 구입하신 후 30일 이내에 홈페이지를 방문하셔서 E-Mail회원으로 등록하시면 보증기간을 1년 추가 연장(최대 2년) 및 그 밖의 많은 정보를 얻을 수 있습니다. (해당 제품은 홈페이지 참조)

모델명		제품번호	
판매점명		전화번호	
구입일자		납품담당자	

고객

고객(상호)명		전화번호	
대표자명		사업자번호 (주민등록번호)	
주소		설치부서	
업태		종목	

1. 본 품질보증서는 보증기간 내 무상수리를 받을 수 있는 증서이므로 구입하신 곳 직원에게 확실하게 내용을 기재하도록 요청하시기 바랍니다.
2. 수리를 요할 때는 품질보증서를 꼭 제시하십시오.
3. 품질보증서는 소중히 보관하십시오.
4. 본 보증서는 대한민국 국내에서만 유효합니다.

고객 상담실 : ☎ 1588-2500 FAX : (02)851-0371

인터넷 홈페이지 : <http://www.canon-bs.co.kr>

보증규정

고객께서 구입하신 본 제품에 대하여 아래와 같은 조건으로 보증하여 드립니다.

보증규정

1. 보증기간

본 제품의 정상적인 상태에서 발생한 고장에 대하여서는 구입일로부터 1년간 무상으로 수리하여 드립니다.

2. 보증수리 제외사항

- 1) 고객의 취급부주의 및 조작의 잘못으로 인한 고장이나 파손
- 2) 당사 지정 수리요원 이외에 제3자가 수리하였거나 부당한 수리개조에 의한 고장이나 파손
- 3) 사용전원 장애로 인한 고장 및 파손
- 4) 당사 지정 소모품 및 소모성 부품 이외의 사용으로 인한 고장이나 파손
- 5) 천재지변에 의한 고장 및 파손

3. 소모성 부품

보증기간 이내라도 유상으로 수리하여 드립니다.

4. 보증기간 외의 수리

보증기간 경과 후의 수리 요청 시에는 소정의 기술료를 징수합니다.

5. 기타

본 보증규정 이외의 사항에 대하여는 "소비자 보호법"에 의거한 "소비자 피해보상 규정"에 의해 처리됩니다.

■ 소모성 부품

제품의 보증기간 중에도 노화 또는 파손으로 교환해야 할 경우도 발생할 수 있으며 불량인 시점에서 교환해야 될 부품입니다.

■ 택배 서비스

폐사에서는 직접 방문하기 어려우신 고객님의 편의를 위해 택배서비스를 실시하고 있습니다.

택배안내 : (02) 2109-3173 (자세한 사항은 홈페이지 참조)

Canon

캐논코리아 비즈니스 솔루션

고객 상담실 : ☎ 1588-2500 FAX : (02)851-0371

인터넷 홈 페이지 : <http://www.canon-bs.co.kr>

소모품 및 서비스 연락처

판 매 점

전화번호

CanoScan 4400F

快速入門指南

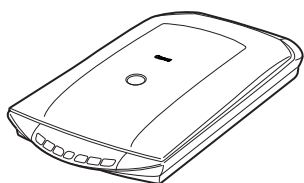
在操作掃描儀之前，請仔細閱讀本指南。閱讀完畢之後，請將本指南存放在安全地點以備將來使用。

目錄

包裝內的物品	1	使用掃描儀按鈕	5
安裝軟體	2	掃描膠片	6
準備掃描儀	3	規格	9
嘗試掃描	4		

包裝內的物品

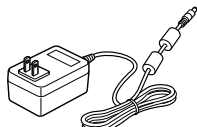
掃描儀和附件



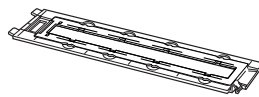
掃描儀



USB 電纜



電源有應器



膠片導板 *
(用於 35mm 膠片條 / 幻燈片)
* 內置於原稿蓋內



遮光片

文件

- 快速入門指南 (本文件)
- 附加文件

CanoScan 設定公用程式 CD-ROM

- 軟體應用程式
 - ScanGear (掃描儀驅動程式)
 - CanoScan Toolbox
 - ArcSoft PhotoStudio
 - Presto! PageManager (僅限 Windows)
 - RosettaStone* (Windows)/ScanSoft OmniPage SE (Macintosh)
 - Adobe RGB (1998) (僅限 Windows)

* 不支援 Windows 98 第一版

- 電子手冊

- 掃描指南 (英文版) (包含 ScanGear、CanoScan Toolbox 和故障排除)
- 網綁應用程式的手冊

* 在本指南中，使用 Windows XP 螢幕截圖作為所有作業系統的共同插圖說明。

安裝軟體



- 安裝軟體之前切勿將掃描儀連接至電腦。如果您連接了掃描儀並出現發現新硬體精靈，請按一下 [取消]。
- 安裝之前請退出所有正在執行的應用程式，包括防病毒軟體。
- 對於 Windows 2000/XP，請以管理員身份登入安裝軟體。

1 將 CanoScan 設定公用程式 CD-ROM 放入光碟機。

如果出現提示，請選擇您的語言和居住地。CanoScan 設定公用程式啓動。

- 對於 Macintosh: 按兩下 [Setup] (安裝) 圖示。在認證對話方塊中鍵入管理員 ID 和密碼。

2 按一下主選單中的 [簡易安裝]。

3 按一下 [安裝] 開始安裝。

仔細閱讀授權協定，然後按一下 [是] 繼續操作。所有軟體程式和電子手冊將被安裝到您的電腦上。

4 對於網綁應用程式，請按照畫面上的說明進行安裝。


5 安裝完成時，按一下 [重新啓動] 重新啓動電腦。

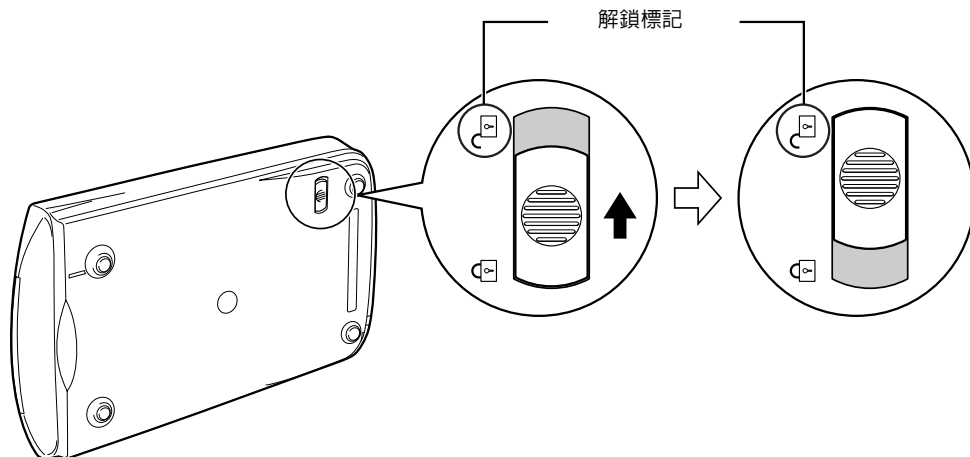


- 請務必將 CD-ROM 從光碟機中取出，然後將其存放在安全的地方。
- 如果在安裝過程中您遇到了問題，請參閱掃描指南中的“故障排除”。
- 如果您之後將您的作業系統升級至 Windows XP，則請重新安裝軟體。
- 對於某些語言，Scanning Guide (掃描指南在) CD-ROM 中的 [Manual] 資料夾內。

準備掃描儀

解除掃描儀的鎖定

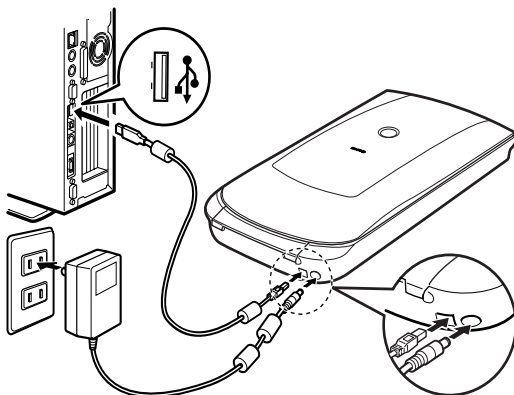
- 1 撕下掃描儀上的封條。
- 2 將掃描儀底部的鎖定開關朝解鎖標記（）方向滑動。



- 解除鎖定時，切勿將掃描儀傾斜到與水平面呈 90 度以上。
- 請用雙手搬動掃描儀。小心不要使掃描儀跌落。
- 攜帶或運送掃描儀時都必須鎖住掃描儀。
- 鎖定掃描儀時，切勿提起掃描儀後端而使前端（掃描儀按鈕所在位置）向下傾斜。這樣您可能無法設定鎖扣。

連接掃描儀

- 1 使用附送的 USB 電纜將掃描儀連接至電腦。
- 2 將附送的電源有應器連接至掃描儀，然後插入電源插頭。



- 只能使用隨掃描儀提供的 USB 電纜和電源有應器。使用其他電纜或轉接器可能會導致故障。
- 當在 Windows XP 中將掃描儀連接至 USB 1.1 連接埠，且出現“HI-SPEED USB Device Plugged into non-HI-SPEED USB Hub”訊息時，請忽略此訊息。掃描儀在此情況下能正常使用，不會有問題。
- 本掃描儀沒有電源開關。一旦電源有應器插入電源，掃描儀將立即通電。

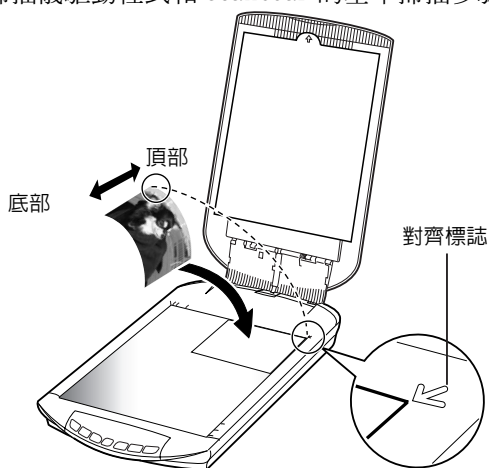
嘗試掃描

本部分介紹了使用影像編輯程式、ArcSoft PhotoStudio、掃描儀驅動程式和 ScanGear 的基本掃描步驟。

1 將原稿放在原稿玻璃上並關閉原稿蓋。



打開原稿蓋時，請用手扶持直至其停止。



2 啓動 ArcSoft PhotoStudio。

對於 Windows：選擇 [開始] - [(所有) 程式] - [ArcSoft PhotoStudio 5.5]，然後按一下 [PhotoStudio 5.5]。

對於 Macintosh：打開 [Applications] (應用程式) - [PhotoStudio] 資料夾，然後按兩下 [PhotoStudio] 圖示。

3 在 [檔案] 選單中，按一下 [選取來源]，然後選擇掃描儀機型。

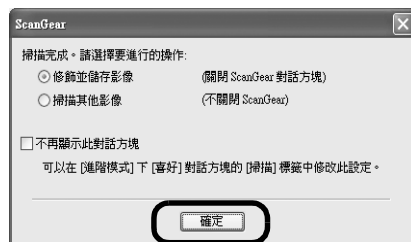
對於 Windows：切勿選擇機型名稱中包含 [WIA] 的名稱。

4 按一下 [獲取] 圖示 啓動 ScanGear。

5 在 [選擇來源] 中選擇您要掃描的原稿類型，然後按一下 [預覽]。

6 根據需要設定 [目的] 和 / 或 [輸出尺寸]。

7 按一下 [掃描] 開始掃描。



在操作過程中，切勿碰觸掃描儀。

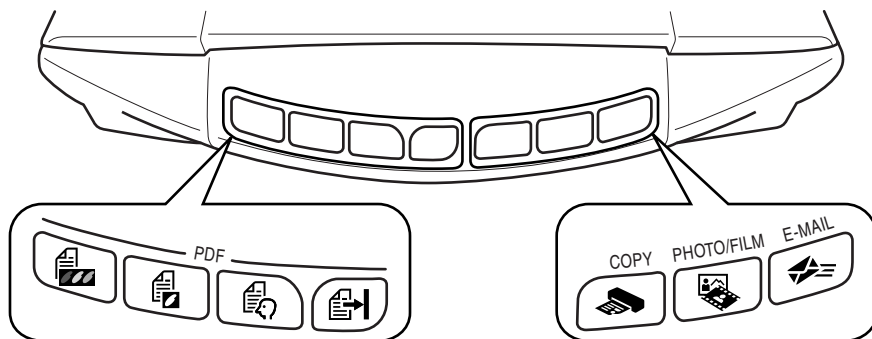
8 當出現提示要求關閉 ScanGear 時，按一下 [確定]。

9 掃描後的影像儲存在 ArcSoft PhotoStudio 中，並關閉視窗。

• 關於使用 ScanGear 進行掃描、網綁應用程式以及故障排除的更多訊息，請參閱電子手冊 *掃描指南*。若要開啓 *掃描指南*，請按兩下桌面上的掃描指南圖示，或按一下 ScanGear 或 CanoScan Toolbox 中的 。

使用掃描儀按鈕

掃描儀按鈕可讓您只需按下一個按鈕即可進行複製、掃描、發送電子郵件以及以 PDF 格式儲存掃描的影像。只需將原稿放在掃描儀上，然後按所需功能對應的掃描儀按鈕即可。更多資訊，請參閱*掃描指南*。



PDF 按鈕

PDF 按鈕可讓您根據需要輕鬆製作 PDF 檔案。請注意，這些按鈕在掃描儀上並未用標籤標記。



COLOR 按鈕

以 300 dpi 掃描 A4 或 Letter 尺寸 * 的彩色影像。



BLACK & WHITE 按鈕

以 300 dpi 掃描 A4 或 Letter 尺寸 * 的黑白影像。



CUSTOM 按鈕

採用用戶指定的設定掃描影像。



FINISH 按鈕

結束操作並將掃描的影像儲存為 PDF 檔案。

* 尺寸可能因系統環境而異。



COPY 按鈕

使用印表機列印（影印）掃描的影像。



PHOTO/FILM 按鈕

在捆綁的應用程式 ArcSoft PhotoStudio 中打開掃描的影像。



E-MAIL 按鈕

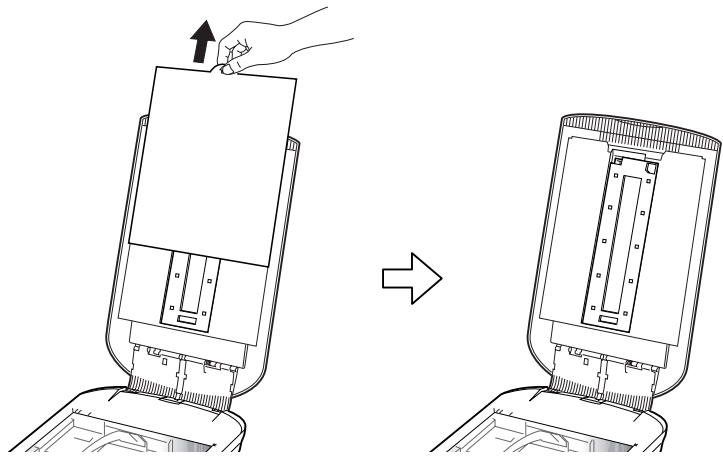
將掃描的影像作為新電子郵件的附加檔案。
第一次按此按鈕時，將提示您選擇電子郵件程式來配合此功能使用。

- 使用掃描儀按鈕之前，請務必使用 CanoScan 設定公用程式的 [簡易安裝] 選項在電腦上安裝了所有軟體程式。請參閱第 2 頁上的“安裝軟體”。
- 對於 Mac OS X 10.3 和 10.2.8: 在使用掃描儀按鈕之前，您需要將 Image Capture（影像獲取）（在 [Applications] 資料夾中）設定為按掃描儀按鈕時自動開啓 CanoScan Toolbox。
啓動 Image Capture（影像獲取），然後執行下列操作。
- Mac OS X 10.3: 按一下 [Options]（選項），然後在 [When a scanner button is pressed, open:]（按下掃描器按鈕時，開啓：）中選擇 CanoScan Toolbox。
- Mac OS X 10.2.8: 在 [When a scanner button is pressed, open:]（按下掃描器按鈕時，開啓：）中選擇 [Other]（其它）。選擇 CanoScan Toolbox，然後按一下 [Open]（開啓）。
按一下 [OK]（確定）並退出 Image Capture（影像獲取）。更多資訊，請參閱*掃描指南*中的“故障排除”。

掃描膠片

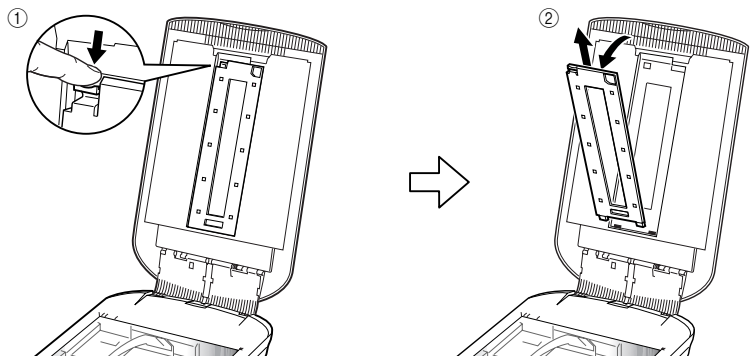
此掃描儀可掃描 35 mm 膠片（膠片條或幻燈片）。掃描膠片時，請執行下列操作步驟。

- 1 從原稿蓋上取下保護片。
結束掃描後，將保護片對準原稿蓋內的插槽並滑下至原位。

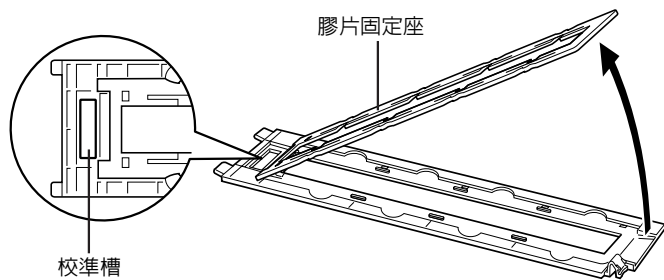


當您不掃描膠片時，請務必放回保護片以保護原稿蓋中的光源。

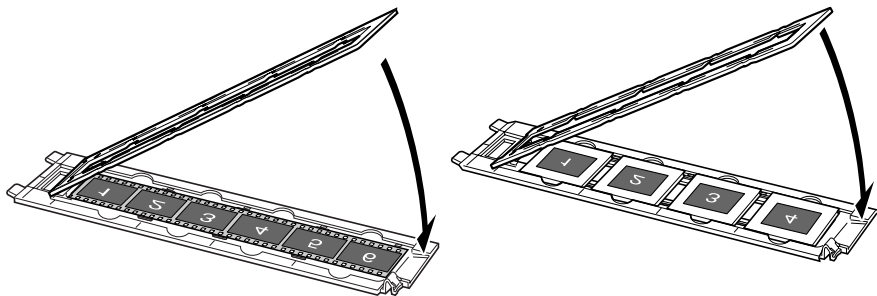
- 2 從原稿蓋上取下膠片導板。
手持原稿蓋以免其合上，然後 ① 向下按住膠片導板左上方的翼片，② 向外傾斜膠片導板即可取出導板。



- 3 打開膠片固定座。
捏膠片固定座的兩側以將其打開。



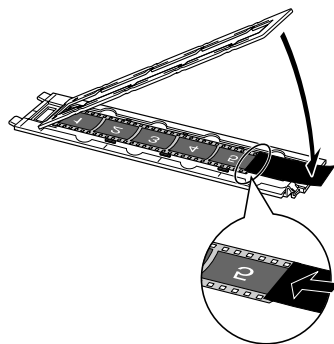
- 4** 將膠片插入膠片導板。
將膠片按照拍攝畫面的相反順序面朝下放置。



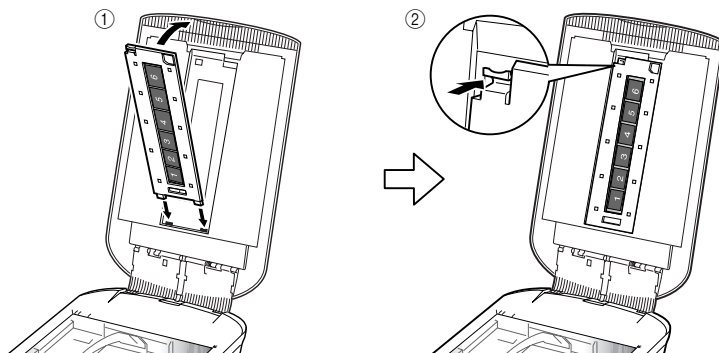
- 用吹氣刷除去膠片上的灰塵，灰塵會影響影像品質，小心拿著膠片邊緣以免將髒物或指紋印到膠片上。
- 掃描膠片時，切勿擋住膠片導板上的校準槽。如果校準槽被堵塞，將無法正確掃描色彩。
- 緊密合上膠片導板。輕按導板直到其固定到位。

如何使用遮光片

當掃描短小或捲曲的膠片時，額外的光線可能會透過間隙進入並在掃描影像四周產生彩色邊帶。如果發生此類現象，可使用圖中所示的隨機提供的遮光片。



- 5** 將膠片導板放進原稿蓋中，並合上原稿蓋。
手持原稿蓋，① 將膠片導板的底部邊緣插入原稿蓋上的底部插槽，② 將膠片導板頂部向上傾斜放入原稿蓋直至其發出喀嗒一聲緊密鎖定到位。

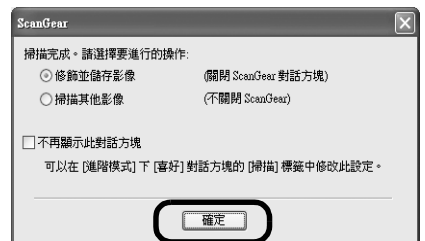


- 6 啓動 ArcSoft PhotoStudio，然後啓動 ScanGear。
按照第 4 頁上的“嘗試掃描”中的步驟 2 至 4 進行操作。
- 7 在[選擇來源]中選擇[負片(彩色)]或[正片(彩色)]以匹配掃描的膠片類型，然後按一下[預覽]。
- 8 在要掃描的畫面數量旁勾上核選標記。必要時可進行影像修正。
- 9 按一下[掃描]開始掃描。



在操作過程中，切勿碰觸掃描儀。

- 10 當出現提示要求關閉 ScanGear 時，按一下[確定]。
- 11 掃描影像儲存在 ArcSoft PhotoStudio 中並關閉視窗。



- 切勿使膠片條在膠片導板中滯留過長時間，因為機器產生的熱量可能會損壞膠片。
- 有關掃描膠片的詳情，請參閱*掃描指南*中的“掃描膠片”。

規格

掃描儀類型		平板式
掃描元件		CCD 6 行彩色
光源		冷陰極螢光燈
光學解析度 *1		4800 × 9600 dpi
可選解析度		25 – 19200 dpi (ScanGear)
掃描位元深度	彩色	48 位元輸入 (每種顏色 16 位元) 48 位元或 24 位元輸出 (每種顏色 16 位元或 8 位元)
	灰階	48 位元輸入 (每種顏色 16 位元) 16 位元 *2 / 8 位元輸出
掃描速度 *3 (照片或文稿)	彩色	7.7msec./線 (2400 dpi), 14.8msec./ 線 (4800 dpi)
	灰階, 黑白	7.7msec./線 (2400 dpi), 14.8msec./ 線 (4800 dpi)
掃描速度 *3 (膠片)		7.4 – 74.0msec./線
預覽速度 *3*4		約 5 秒
介面		USB 2.0 Hi-Speed
最大文稿尺寸		A4/Letter : 216 × 297 mm
膠片類型 / 畫格數		35 mm 膠片條 (最多 6 格) / 35 mm 幻燈片 (最多 4 格)
掃描儀按鈕		7 個按鈕 (PDF × 4, COPY, PHOTO/FILM, E-MAIL)
操作範圍	溫度	10°C–35°C (50°F–95°F)
	濕度	10% 至 90% RH, 掃描膠片時為 20% 至 80% RH, 無濕氣凝結
電源要求		電源有應器 (100/120/230/240V) *5
功率消耗		運行時: 最大 17 瓦, 待機時: 4 瓦 (使用附送的電源有應器)
最大外形尺寸		259 × 474 × 83 mm
重量		約 2.8 kg
選購的成套附件		成套附件 CSAK-4400F

*1 光學解析度表示基於 ISO 14473 的最大取樣率。

*2 僅限膠片掃描。

*3 在 Windows PC 上 USB 2.0 Hi-Speed 模式中的最快速度。不包括傳送時間。掃描速度視文稿類型、掃描設定或電腦規格而變化。

*4 不包括校準處理時間。

*5 電源有應器的類型因購買掃描儀所在地區而異。

• 規格如有變更, 恕不另行通知。

機型: K10293 (CanoScan 4400F)

電源插座的安裝應靠近設備，且位置應方便插拔。

警告

使用本產品時，您必須注意以下法律事項：

- 對銀行票據（銀行帳單）、政府債券和公用證書等某些文稿進行掃描，可能受法律禁止，並可能導致刑事和 / 或民事責任。
- 依照法律，您可能需要獲得掃描項目的個人處理版權或其他法律權限的授權。

如果您無法確定掃描某個對象是否合法，請您事先聯絡您的法律顧問。

- Adobe®、Adobe® RGB (1998) 是 Adobe Systems Incorporated 在美國和 / 或其他國家的註冊商標或商標。
- Microsoft® 和 Windows® 是 Microsoft Corporation 在美國和 / 或其他國家的註冊商標或商標。
- Macintosh、Mac 和 Mac 標誌是 Apple Computer, Inc.，在美國和其他國家註冊的商標。
- ©ArcSoft, Inc. 保留所有 PhotoStudio 權利。
- 以上未提到的其他名稱和產品可能是其各自公司的註冊商標或商標。

