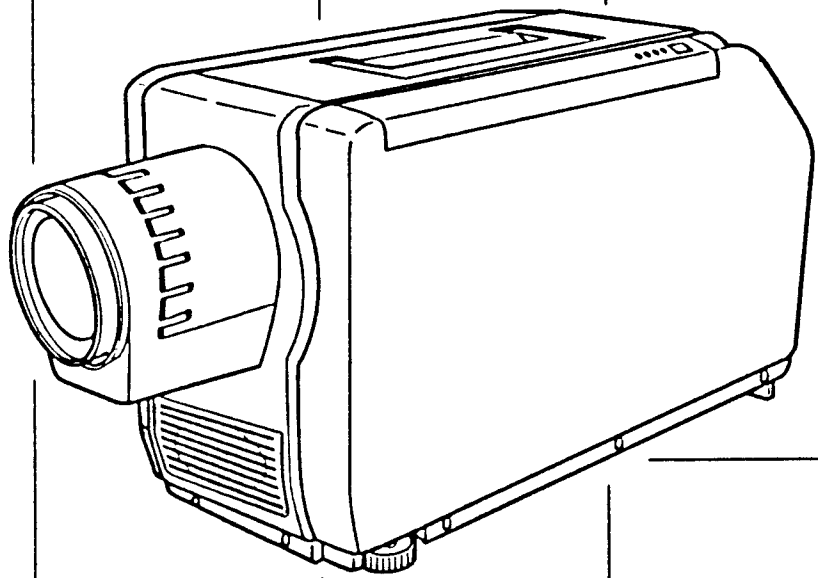
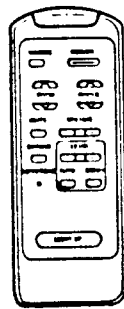


# SANYO

## LCD Color Video Projector

MODEL PLC-200N



Owner's  
Manual

## TO THE OWNER

As the owner of a new Sanyo Portable Liquid Crystal Color Video Projector, you are probably eager to try out your new projector. Before you do, we suggest that you spend a little time reading this manual to familiarize yourself with the operating procedures, so that you will receive maximum enjoyment from the many features included on your new projector.

This owner's manual will acquaint you with your projector's features. Reading it will help us too. Through the years, we have found that many service requests were not caused by problems with our projectors. They were caused by problems that could have been prevented, if the owner had followed the instructions in the manual.

You can often correct operating problems yourself. If your projector fails to work properly, locate the operating problem in the Helpful Hints on page 18 and try the solutions marked for each problem.

## SAFETY PRECAUTIONS

### WARNING:





**TO REDUCE THE RISK OF FIRE OR ELECTRIC SHOCK, DO NOT EXPOSE THIS APPLIANCE TO RAIN OR MOISTURE.**

The LC color video projector has a polarized AC line plug with one blade of the plug wider than the other. This is a safety feature to be sure that the plug will fit into the power outlet only one way. Do not try to defeat this safety feature.

Intense light source. Do not stare directly into the projection lens as possible eye damage could result. Be especially careful that children do not stare directly into the beam.

If the LC color video projector will not be used for an extended time, unplug the LC color video projector from the power outlet.

**READ AND KEEP THIS OWNER'S MANUAL FOR LATER USE.**

	<b>CAUTION</b> <b>RISK OF ELECTRIC SHOCK</b> <b>DO NOT OPEN</b>		
<b>CAUTION: TO REDUCE THE RISK OF ELECTRIC SHOCK, DO NOT REMOVE COVER (OR BACK). NO USER-SERVICEABLE PARTS INSIDE. REFER SERVICING TO QUALIFIED SERVICE PERSONNEL.</b>			
	THIS SYMBOL INDICATES THAT DANGEROUS VOLTAGE CONSTITUTING A RISK OF ELECTRIC SHOCK IS PRESENT WITHIN THIS UNIT.		THIS SYMBOL INDICATES THAT THERE ARE IMPORTANT OPERATING AND MAINTENANCE INSTRUCTIONS IN THE OWNER'S MANUAL WITH THIS UNIT.

# IMPORTANT SAFETY INSTRUCTIONS

Read all of the instructions given here and retain them for later use. Unplug this projector from AC power supply before cleaning. Do not use liquid or aerosol cleaners. Use a damp cloth for cleaning.

Do not use attachments not recommended by the manufacturer as they may cause hazards.

Do not place this projector on an unstable cart, stand, or table. The projector may fall, causing serious injury to a child or adult, and serious damage to the projector. Use only with a cart or stand recommended by the manufacturer, or sold with the projector. Wall or shelf mounting should follow the manufacturer's instructions, and should use a mounting kit approved by the manufacturer.

Do not expose this unit to rain or use near water... for example, in a wet basement, near a swimming pool or the like.

Slots and openings in the cabinet and the back or bottom are provided for ventilation, to insure reliable operation of the equipment and to protect it from overheating.

The openings should never be covered with cloth or other material, and the bottom opening should not be blocked by placing the projector on a bed, sofa, rug, or other similar surface. This projector should never be placed near or over a radiator or heat register.

This projector should not be placed in a built-in installation such as a bookcase unless proper ventilation is provided.

This projector should be operated only from the type of power source indicated on the marking label. If you are not sure of the type of power supplied, consult your Sanyo dealer or local power company.

Do not overload wall outlets and extension cords as this can result in fire or electric shock. Do not allow anything to rest on the power cord. Do not locate this projector where the cord will be abused by persons walking on it.

Never push objects of any kind into this projector through cabinet slots as they may touch dangerous voltage points or short out parts that could result in a fire or electric shock. Never spill liquid of any kind on the projector.

Do not attempt to service this projector yourself as opening or removing covers may expose you to dangerous voltage or other hazards. Refer all servicing to qualified service personnel.

Unplug this projector from wall outlet and refer servicing to qualified service personnel under the following conditions:

- a. When the power cord or plug is damaged or frayed.
- b. If liquid has been spilled into the projector.
- c. If the projector has been exposed to rain or water.
- d. If the projector does not operate normally by following the operating instructions. Adjust only those controls that are covered by the operating instructions as improper adjustment of other controls may result in damage and will often require extensive work by a qualified technician to restore the projector to normal operation.
- e. If the projector has been dropped or the cabinet has been damaged.
- f. When the projector exhibits a distinct change in performance - this indicates a need for service.

When replacement parts are required, be sure the service technician has used replacement parts specified by the manufacturer that have the same characteristics as the original part. Unauthorized substitutions may result in fire, electric shock, or injury to persons.

Upon completion of any service or repairs to this projector, ask the service technician to perform routine safety checks to determine that the projector is in safe operating condition.

This projector is equipped with a polarized alternating - current line plug (a plug having one blade wider than the other). This plug will fit into the power outlet only one way. This is a safety feature. If you are unable to insert the plug fully into the outlet, try reversing the plug. If the plug should still fail to fit, contact your electrician to replace your obsolete outlet. Do not defeat the safety purpose of the polarized plug.

Follow all warnings and instructions marked on the projectors.

For added protection for the projector during a lightning storm, or when it is left unattended and unused for long periods of time, unplug it from the wall outlet. This will prevent damage due to lightning and powerline surges.



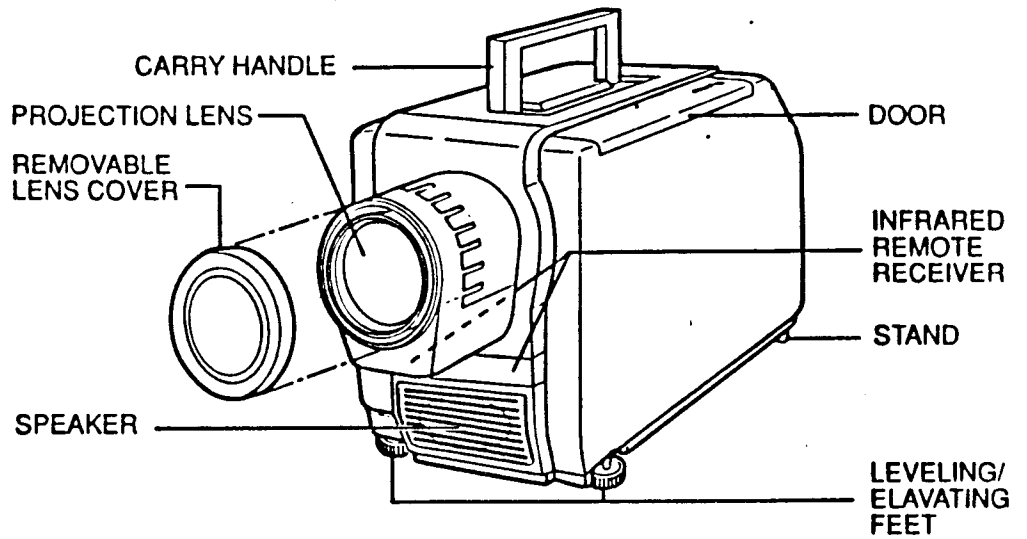
An appliance and cart combination should be moved with care. Quick stops, excessive force, and uneven surfaces may cause the appliance and cart combination to overturn.

# TABLE OF CONTENTS

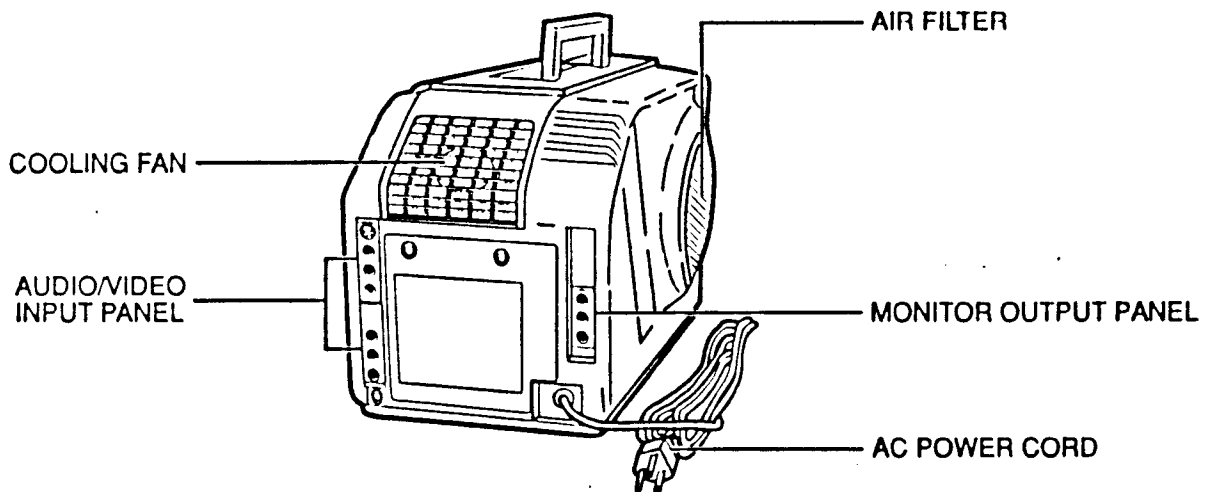
	PAGE
DESCRIPTION .....	4
OPERATION OF CONTROLS .....	5- 6
REMOTE CONTROL UNIT OPERATION .....	7- 8
SETTING-UP THE PROJECTOR .....	9
USING THE PROJECTOR .....	10- 12
COLOR AND PICTURE ADJUSTMENTS .....	13
CONNECTION TO VCR, VIDEO DISC AND SATELLITE TV .....	14
CONNECTION TO S-VHS VCR .....	15
CONNECTION TO VIDEO CAMERA/CAMCORDER .....	15
CONNECTION TO EXTERNAL AMPLIFIER AND SPEAKERS .....	16
CONNECTION TO MONITOR OUTPUT .....	16
AIR FILTER CARE AND CLEANING .....	17
LAMP REPLACEMENT AND TEMPERATURE INDICATORS .....	17
HELPFUL HINTS – Problems and Solutions .....	18
SERVICE.....	18
TECHNICAL SPECIFICATIONS .....	19

# DESCRIPTION

## FRONT



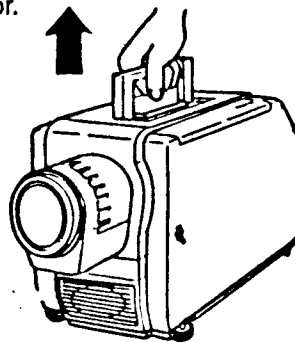
## REAR



---

## MOVING THE PROJECTOR

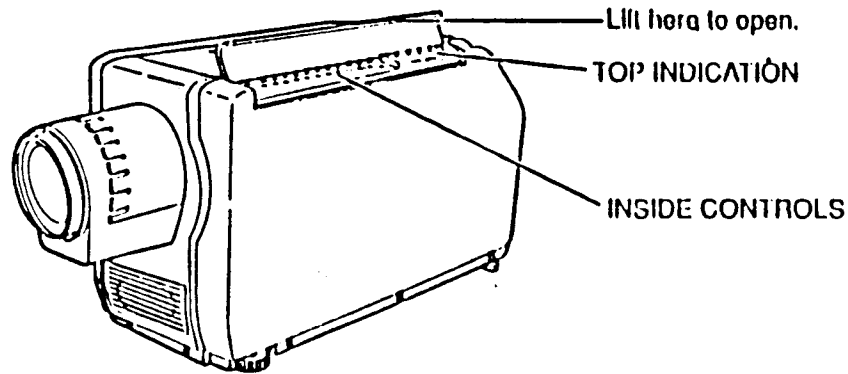
Use the carry handle when moving the projector.



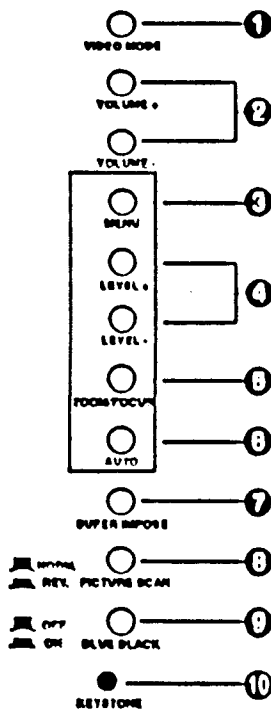
Replace the lens cover when moving the projector to prevent damage to the lens.

---

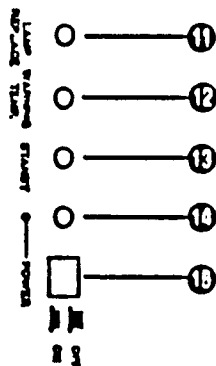
# OPERATION OF CONTROLS



## INSIDE CONTROLS

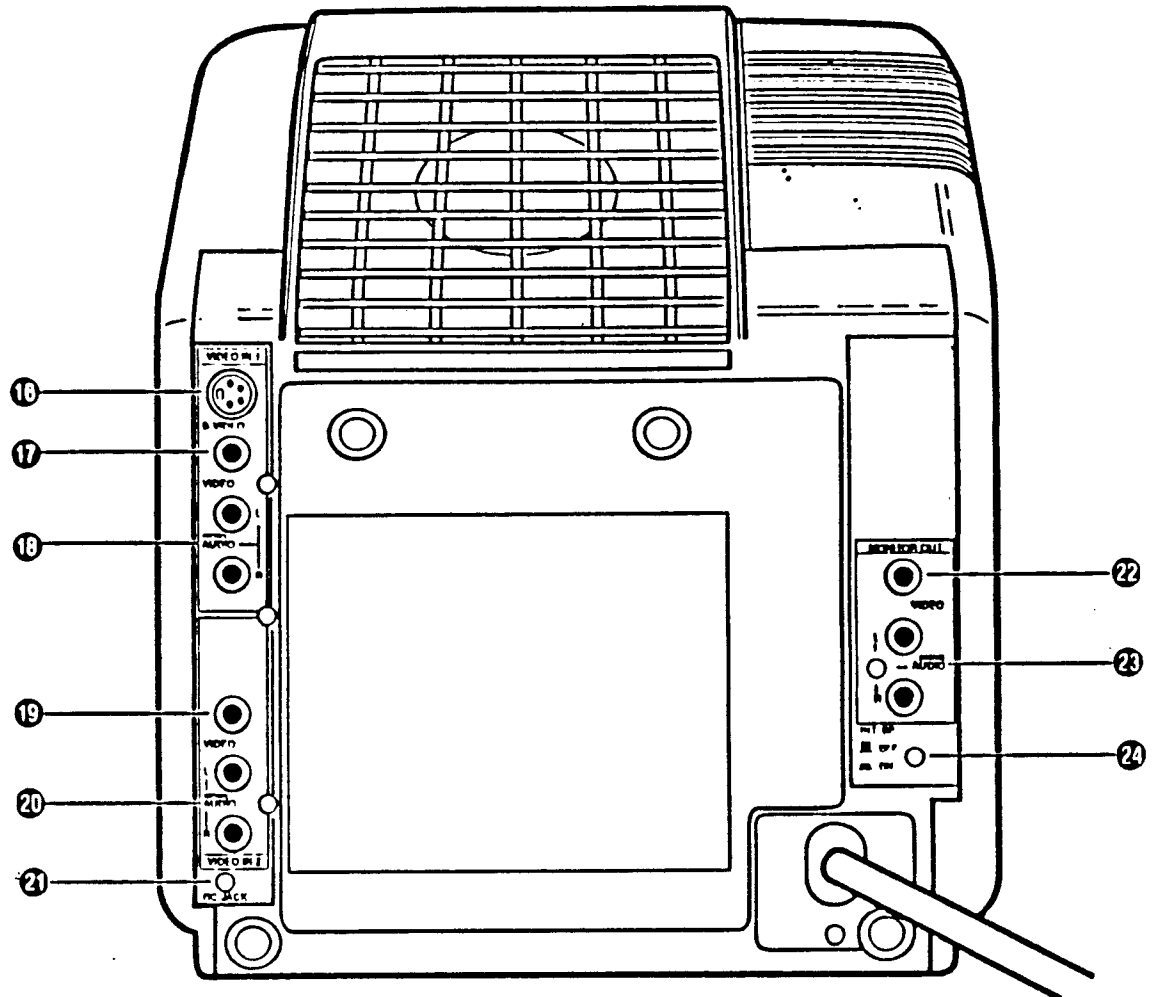


## TOP INDICATION



- ❶ VIDEO MODE BUTTON  
Press to select video source. (Video Input-1 or Video Input-2)
- ❷ VOLUME BUTTONS  
Used to increase or decrease sound level.
- ❸ MENU BUTTON  
Used to select on-screen adjustment displays for color, tint, brightness, contrast and sharpness. Press repeatedly to cycle.
- ❹ LEVEL CONTROL BUTTONS  
Used to adjust zoom, focus, color, tint, brightness, contrast, sharpness and keystone by pressing + or - button.
- ❺ ZOOM/FOCUS BUTTON  
Used to select power zoom lens or focus system.
- ❻ AUTO BUTTON  
Used to reset to normal factory set picture adjustment.
- ❼ SUPERIMPOSE BUTTON  
Press this button, the picture turns white image with blue background when receiving the still picture from video processor.
- ❽ REVERSE PICTURE SCANNING BUTTON  
Automatically reverses the projected screen image.
- ❾ BLUE BACK BUTTON  
Used to project the blue image without video noise on the screen when no signals come from video source.
- ❿ KEYSTONE BUTTON  
Used to select the keystone position.
- ⓫ LAMP REPLACEMENT INDICATOR  
Lights orange when projection lamp is nearing end of service life.
- ⓬ TEMPERATURE WARNING INDICATOR  
Lights red when internal projector temperature is too high.
- ⓭ STANDBY INDICATOR  
Lights green when projector is ready to be turned on.
- ⓮ POWER INDICATOR  
When the POWER indicator lights, the projector is on.  
When the POWER indicator is dim, the projector is standby mode.
- ⓯ POWER ON/OFF BUTTON  
Press to turn power and projection lamp on or off.

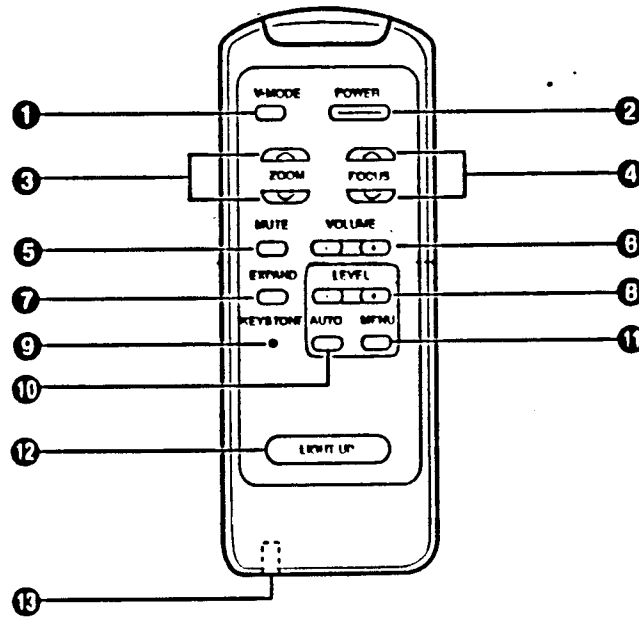
## BACK OF THE PROJECTOR



- ⑩ S-VIDEO INPUT JACK  
Used to connect S-VHS video source to the projector.
- ⑪ VIDEO INPUT-1 Jack  
Used to connect a video source to the projector.
- ⑫ AUDIO INPUT-1 JACKS  
Used to connect an audio input to the projector.
- ⑬ VIDEO INPUT-2 JACK  
Used to connect a video source to the projector.
- ⑭ AUDIO INPUT-2 JACKS  
Used to connect an audio input to the projector.
- ⑮ WIRED REMOTE JACK  
When use the wired remote control, connect the remote cable to this jack.
- ⑯ VIDEO MONITOR OUTPUT JACK  
Permits video connection to a monitor.
- ⑰ AUDIO MONITOR OUTPUT JACKS  
Permits audio connection to a monitor.
- ⑱ INT. SPEAKER ON/OFF BUTTON  
Turns the internal speaker on or off.

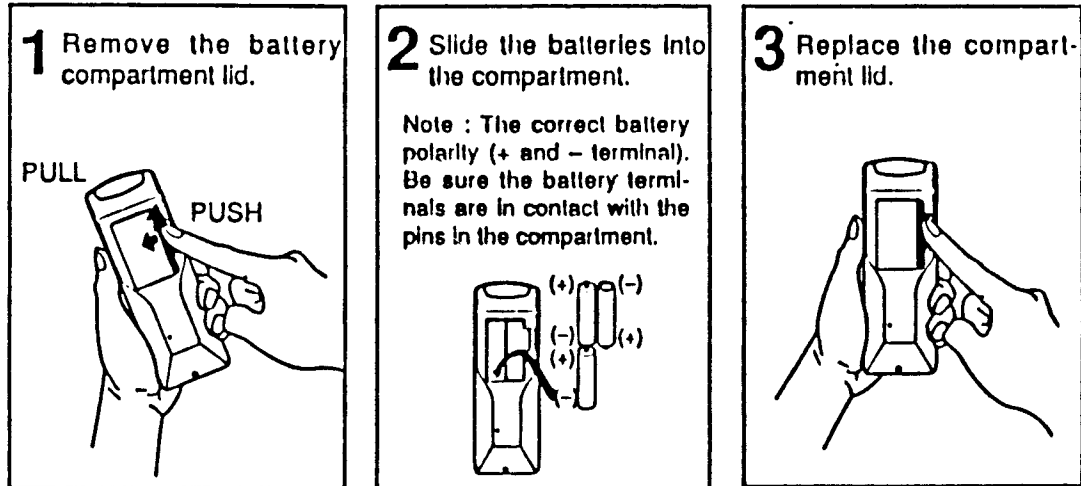
# REMOTE CONTROL OPERATION

## REMOTE CONTROL UNIT



- ❶ VIDEO MODE BUTTON  
Press to select video source. (Video Input-1 or Video Input-2)
- ❷ POWER ON/OFF BUTTON  
Press to turn power and projection lamp on or off.
- ❸ ZOOM BUTTONS  
Used to operate power zoom lens.
- ❹ FOCUS BUTTONS  
Used to operate power focus system.
- ❺ VOLUME MUTE BUTTON  
Used to mute volume.
- ❻ VOLUME BUTTONS  
Used to adjust volume.
- ❼ EXPAND BUTTON  
Press to expand the center portion of the image twice. This function is cancelled when any other function button is pressed.
- ❽ LEVEL CONTROL BUTTONS  
Used to adjust zoom, focus, color, tint, brightness, contrast, sharpness and keystone by pressing + or – button.
- ❾ KEYSTONE BUTTON  
Used to select the keystone position.
- ❿ AUTO BUTTON  
Used to reset to normal factory set picture adjustment.
- ⓫ MENU BUTTON  
Used to select on-screen adjustment displays for color, tint, brightness, contrast and sharpness.  
Press repeatedly to cycle.
- ⓬ LIGHT UP BUTTON  
Press to light the illumination for function buttons on the remote control unit for 5 seconds, and press any other function button during the lighting to light for another 5 seconds.
- ⓭ WIRED REMOTE JACK  
When use the wired remote control, connect the remote cable to this jack.

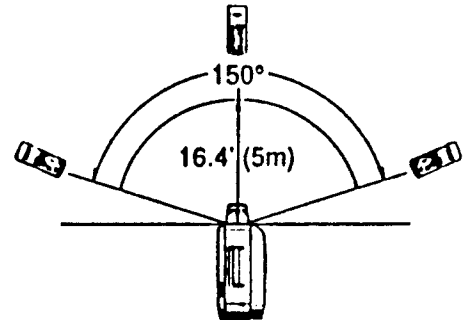
## REMOTE CONTROL BATTERY INSTALLATION



The remote control unit can be used as wireless and wired remote control.

### USING THE REMOTE CONTROL UNIT (wireless)

Point the remote control toward the front of the projector (Receiver window) whenever pressing the buttons. Maximum operating range for the remote control is about 16.4' (5m) and 150° from the front of the projector.

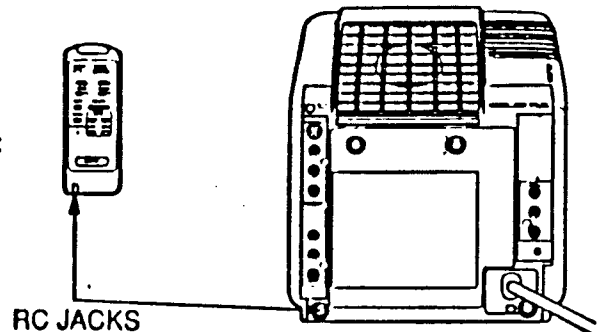


### USING THE REMOTE CONTROL UNIT (wired)

Connect a remote control cable to RC jacks located on the remote control unit and the back of the projector.

To insure safe operation, please observe the following precautions:

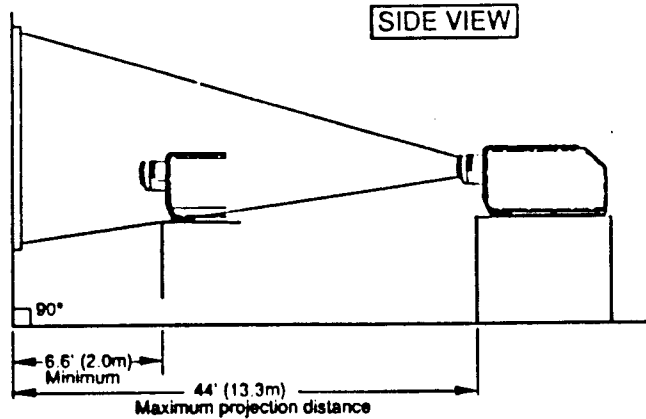
- Use (3) AA type batteries.
- Change three batteries at the same time.
- Do not use a new battery with a used battery.
- Avoid contact with water.
- Do not drop the remote control unit.



# SETTING-UP THE PROJECTOR

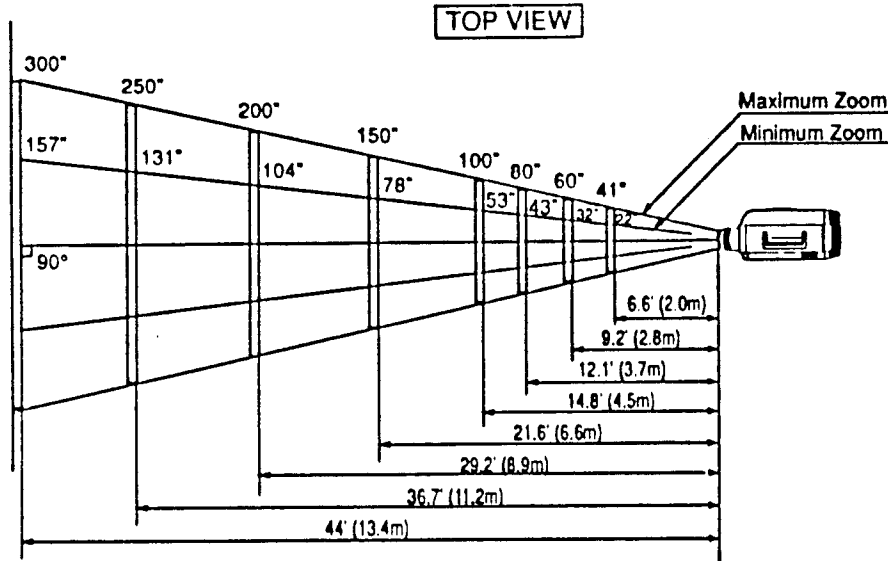
## POSITIONING:

- This projector is basically designed to project on a flat projection surface. If the projector is not placed at 90° angle to the screen, the projected keystone image. (See page 12 KEYSTONE CORRECTION.)
- This projector can be focused from 6.6' (2.0m) - 44' (13.3m).
- Use the illustration below as an example when positioning the projector to the screen.



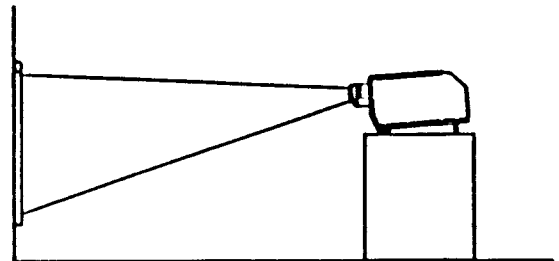
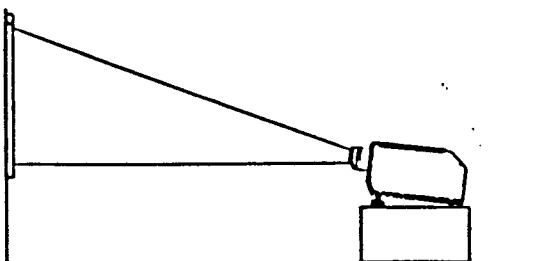
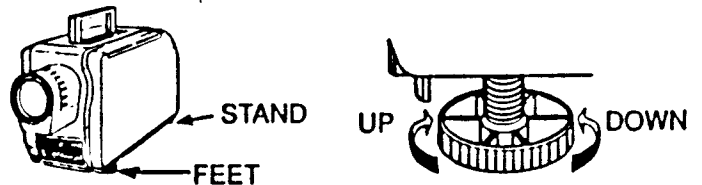
## ROOM LIGHT

The projector should ideally be placed in a room with very limited light. Picture quality will be directly affected by lighting conditions.



## LEVELING AND ELEVATING ADJUSTMENTS

Picture adjustments can be made with the two leveling/elevating feet and stand on the bottom of the projector. Adjustments of 5° up are possible by rotating the feet. Adjustments of 5° down are possible by raise up the stand.



# USING THE PROJECTOR

## TO TURN ON THE PROJECTOR

Connect the projector to a video source (VCR, Video Camera, Video Disc Player, etc.) using the appropriate terminals on the back of the projector (See page 14 - 16).

Connect the projector's AC power cord into a wall outlet. The STANDBY indicator will light GREEN.

**NOTE: AFTER YOU TURN OFF THE PROJECTOR YOU MUST WAIT ONE MINUTE BEFORE YOU CAN TURN THE PROJECTOR ON AGAIN. DO NOT UNPLUG THE PROJECTOR UNTIL THE COOLING FAN STOPS OPERATING.**

Press the POWER ON/OFF button on the projector to ON. The POWER INDICATOR will light bright and the cooling fan will operate. The standby display (STANDBY and numeral 30) appears on the screen and the count-down starts (30-29-28-...1). The signal from the video source appears after 30 seconds. Now the remote control can be activated, and all functions may be used.

**STANDBY**  
30

**NOTE 1 :** If the TEMPERATURE WARNING INDICATOR flashes red, the projector will automatically turn off. Wait at least 5 minutes before turning the projector on.

**NOTE 2:** If the TEMPERATURE WARNING INDICATOR continue to flash, follow the procedures below:

- (1). Press POWER ON/OFF button to OFF.
- (2). Check the air filter for dust accumulation.
- (3). Remove dust with vacuum cleaner (See air filter care and cleaning on page 17).
- (4). Press POWER ON/OFF button to ON.

After checking of the above procedure, if the TEMPERATURE WARNING INDICATOR still continue to flash, call your authorized distributor for service.

## TO TURN OFF THE PROJECTOR (with the remote control unit)

Press the POWER ON/OFF button on the remote control unit to OFF. The POWER indicator will light dim and STANDBY indicator will turn off. The cooling fan will operate for 1 minute after the projector is turned off. (During this "cooling down" period, the projector can not be turned on.)

After 1 minute, the STANDBY indicator will light green again and the projector may be turned on by pressing the POWER ON/OFF button on the remote control unit.

**NOTE:** Remote control can be activated only when POWER ON/OFF button on the projector is pressed to ON.

## TO TURN OFF THE PROJECTOR (without the remote control unit)

Press the POWER ON/OFF button on the projector to OFF. The POWER and STANDBY indicator will turn off. The cooling fan will operate for 1 minute after the projector is turned off. (During this "cooling down" period, the projector can not be turned on.)

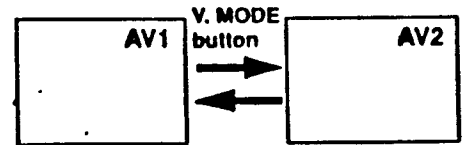
After 1 minute, the STANDBY indicator will light green again and the projector may be turned on by pressing the POWER ON/OFF button on the projector.

**NOTE:** If the projector is turned off by the remote control unit, it can be turned back on without the remote by pressing the POWER ON/OFF button on the projector twice.

# ADJUST THE PROJECTOR

## VIDEO MODE SELECT

Press VIDEO MODE button located on projector or remote control unit to select Video Input-1 or Video Input-2, and "AV1" or "AV2" appears on the screen display.



## VOLUME ADJUSTMENT

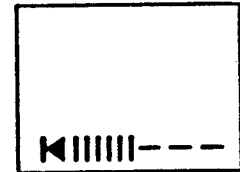
Press INT. SPEAKER button to ON(IN) position when the INT. SPEAKER is used.

Press VOLUME buttons on the projector, or on the remote control unit to adjust the volume. The screen display will appear.

Pressing (+) will increase volume and the green indicator will increase to the right on the screen.

Pressing (-) will decrease volume and the green indicator will decrease to the left on the screen.

Press INT. SPEAKER button to OFF (OUT) position, will disengage the internal speaker on the projector.

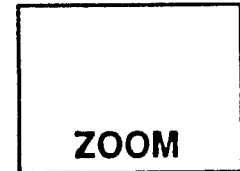


## MUTE ADJUSTMENT

Pressing MUTE button on the remote control unit will mute audio (Red screen display will appear). Press MUTE button again to restore audio to its previous level.

## ZOOM ADJUSTMENT (Without remote control unit)

Press ZOOM/FOCUS button until zoom display will appear on the screen, and press LEVEL(+) or (-) to obtain your desired picture size. (The zoom display will appear for 5 seconds.) For the larger size, press (+) and for the smaller size, press (-).

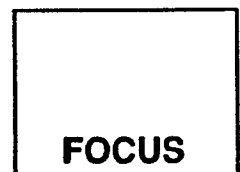


## ZOOM ADJUSTMENT (With remote control unit)

Press ZOOM (Λ) or (∨) to obtain your desired picture size. (The zoom display will appear for 5 seconds.) For the larger size, press (Λ) and for the smaller size, press (∨).

## FOCUS ADJUSTMENT (Without remote control unit)

Press ZOOM/FOCUS button until focus display will appear on the screen, and press LEVEL (+) or (-) for sharper, crisper picture. (The focus display will appear for 5 seconds.)



## FOCUS ADJUSTMENT (With remote control unit)

Press FOCUS (Λ) or (∨) for sharper, crisper picture. (The focus display will appear for 5 seconds.)

## COLOR AND PICTURE ADJUSTMENT

The normal color setting is factory preset on the projector and can be obtained anytime by pressing the AUTO button on the projector, or on the remote control unit.

The color adjustment can be made by using the MENU and LEVEL buttons on the projector, or on the remote control unit.

## OTHER FEATURES

### **SUPERIMPOSE .**

Press **SUPERIMPOSE** button on the projector, the picture turns white image with blue background when receiving the still picture from video processor.

### **BLUE BACK**

Press **BLUE BACK** button on the projector to project the blue image without video noise on the screen when no signals come from video source.

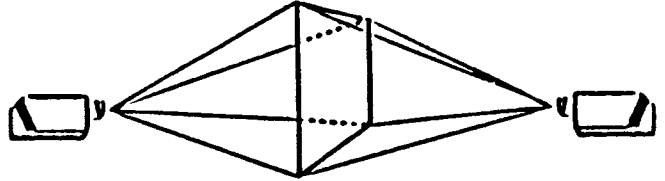
### **EXPAND**

Press **EXPAND** button on the remote control unit to expand the center portion of the image twice. This function is cancelled when any other function is pressed.

### **REVERSE PICTURE SCANNING**

The versatile left/right picture reverse capability lets you project onto the screen from in front or behind.

- Press the **REVERSE PICTURE SCANNING** button on the projector, if required.

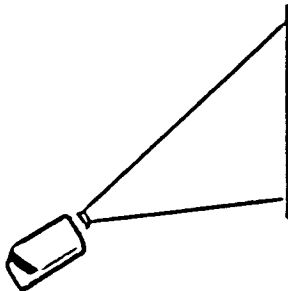


### **KEYSTONE CORRECTION**

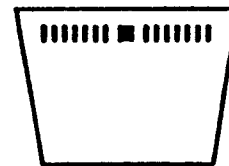
When the projector is used at upper or lower position, the keystone appears on the bottom or top of the screen. The keystone can be corrected as follows:

#### **• LOW MOUNT PROJECTION**

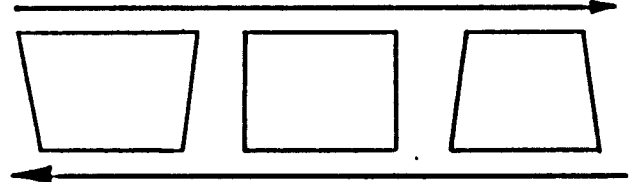
In case of low mount projection, the keystone appears at the top of the screen, and press keystone button on the projector, or remote control unit using the tip of a ballpoint pen until the bar appears on the top of the screen, then the keystone is corrected by pressing - level button.



#### **TOP KEYSTONE CORRECT DISPLAY**

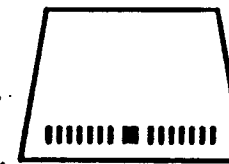


**PRESS (-) LEVEL BUTTON**

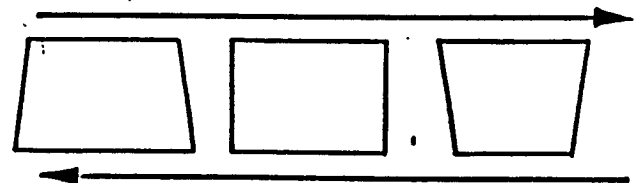


**PRESS (+) LEVEL BUTTON**

#### **BOTTOM KEYSTONE CORRECT DISPLAY**



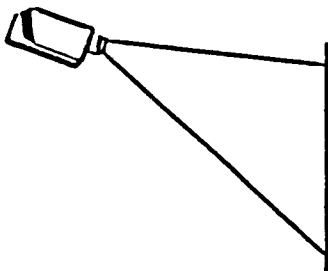
**PRESS (-) LEVEL BUTTON**



**PRESS (+) LEVEL BUTTON**

#### **• HIGH MOUNT PROJECTION**

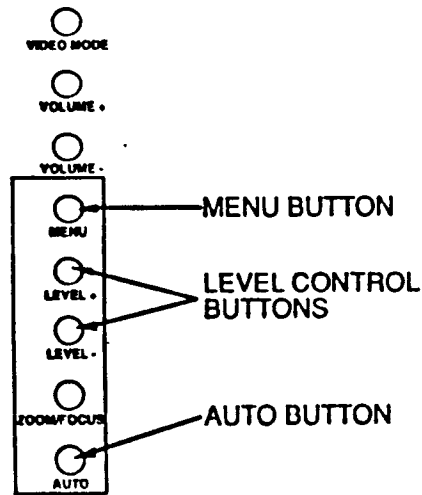
In case of high mount projection, the keystone appears at the bottom of the screen, and press keystone button on the projector, or remote control unit using the tip of a ballpoint pen until the bar appears on the bottom of the screen, then the keystone is corrected by pressing - level button.



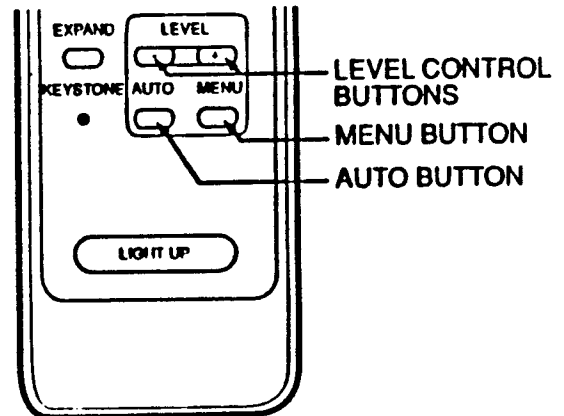
**NOTE:** The projector is equipped with a built-in memory feature that eliminates the need to readjust the keystone each time the projector is turned off and the AC power cord is disconnected.

# COLOR AND PICTURE ADJUSTMENTS

## INSIDE CONTROLS OF THE PROJECTOR



## REMOTE CONTROL UNIT



Color and picture adjustments have been preset at the factory to quality standards. However, with the MENU and LEVEL buttons located on projector, or on the remote control unit, the color and picture adjustments can be made.

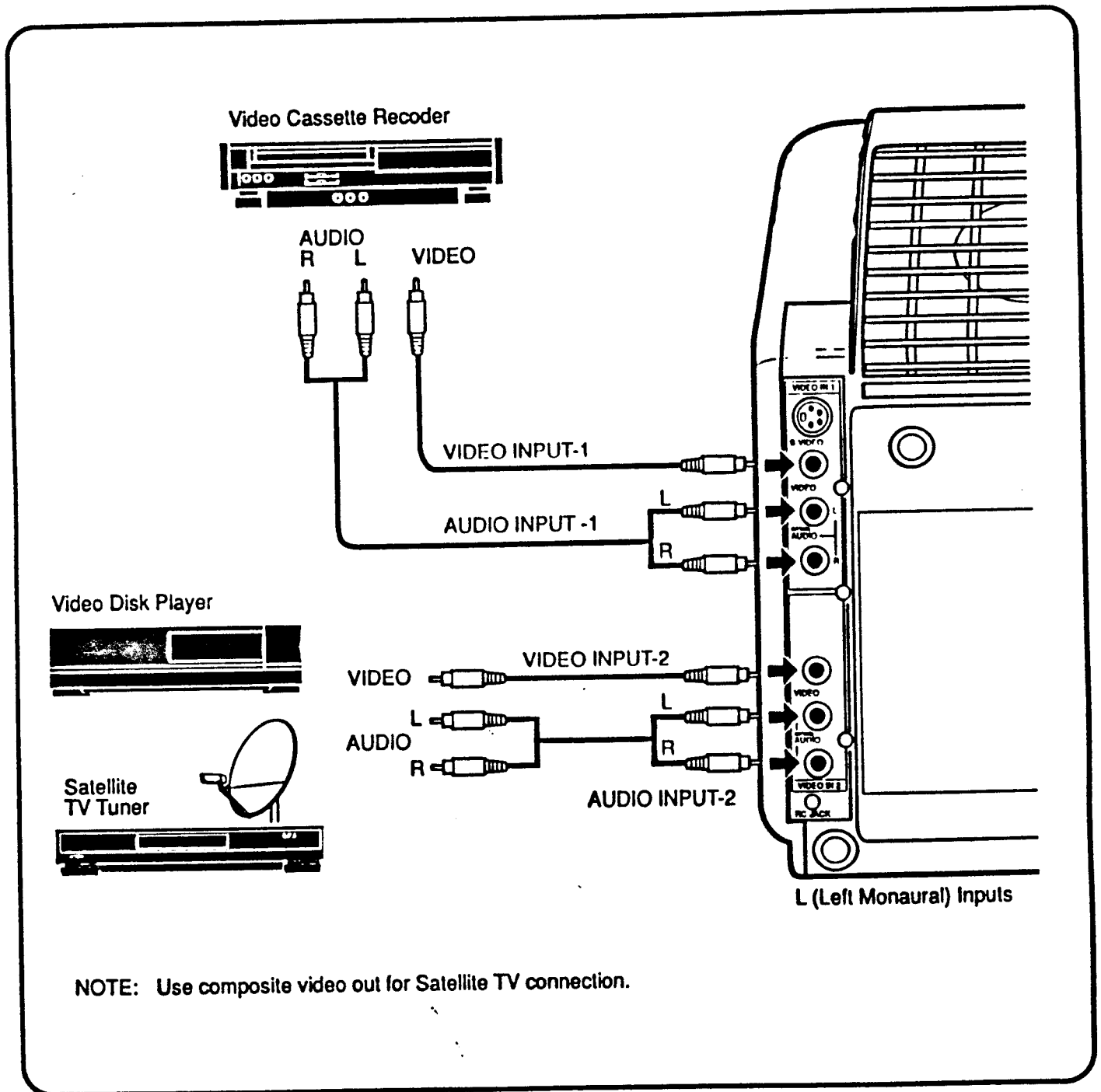
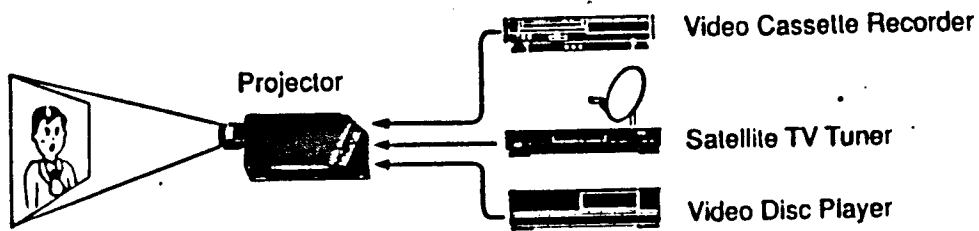
1. To adjust the following functions (COLOR, TINT, CONTRAST, BRIGHTNESS, and SHARPNESS) press the MENU button.
2. Pressing the MENU button once, puts you in the color adjustment mode. The word COLOR should appear on the screen. Proceed to adjust the color to your preference by pressing the LEVEL CONTROL (+) to increase color or the (-) to decrease color.

	PRESS LEVEL CONTROL (-)	PRESS LEVEL CONTROL (+)
	←-----■-----→	
	• Press the LEVEL CONTROL buttons to make adjustments. Refer to the picture control chart below.	
COLOR	DECREASES	←→ INCREASES
TINT	MORE PURPLE	←→ MORE GREEN
CONTRAST	SOFTER	←→ SHARPER
BRIGHTNESS	DARKER	←→ BRIGHTER
SHARPNESS	SOFTER	←→ SHARPER

3. By again pressing the MENU button, the other functions (TINT, CONTRAST, BRIGHTNESS and SHARPNESS) will appear in order. Use the same procedure to adjust other functions according to your preference.
4. The ON-SCREEN display will disappear automatically in 8 seconds.

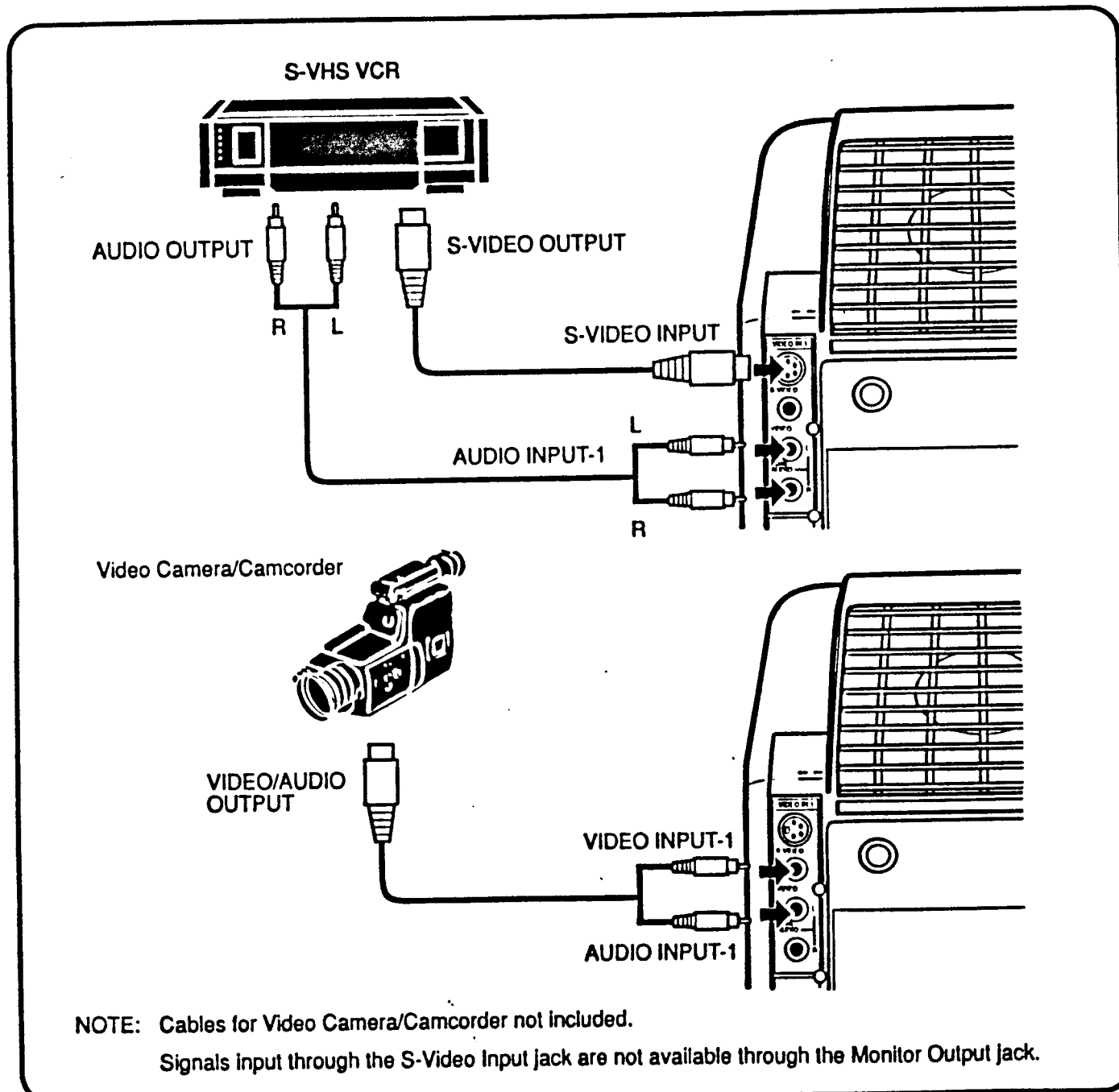
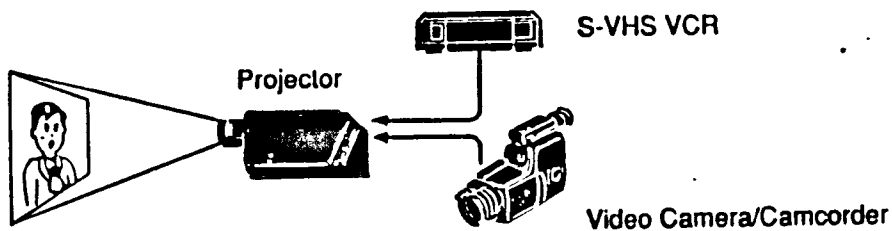
**NOTE:** The projector is equipped with a built-in memory feature that can maintain the color adjustment to set on AV1 and AV2 respectively even if the projector is turned off and AC power cord is disconnected. If AUTO button is pressed, the projector will revert back to factory preset colors.

# CONNECTION TO VCR, VIDEO DISC PLAYER AND SATELLITE TV TUNER

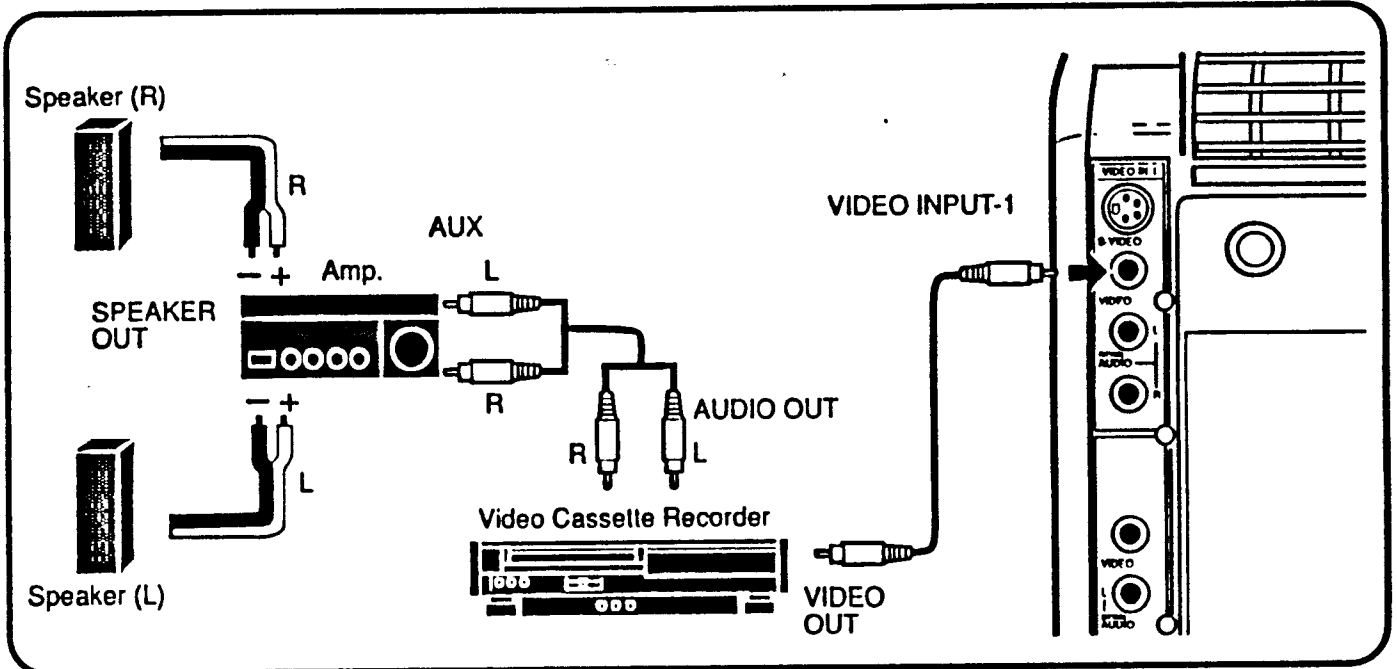
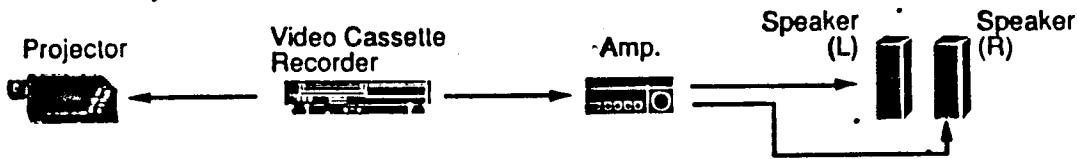


# CONNECTION TO S-VHS VCR

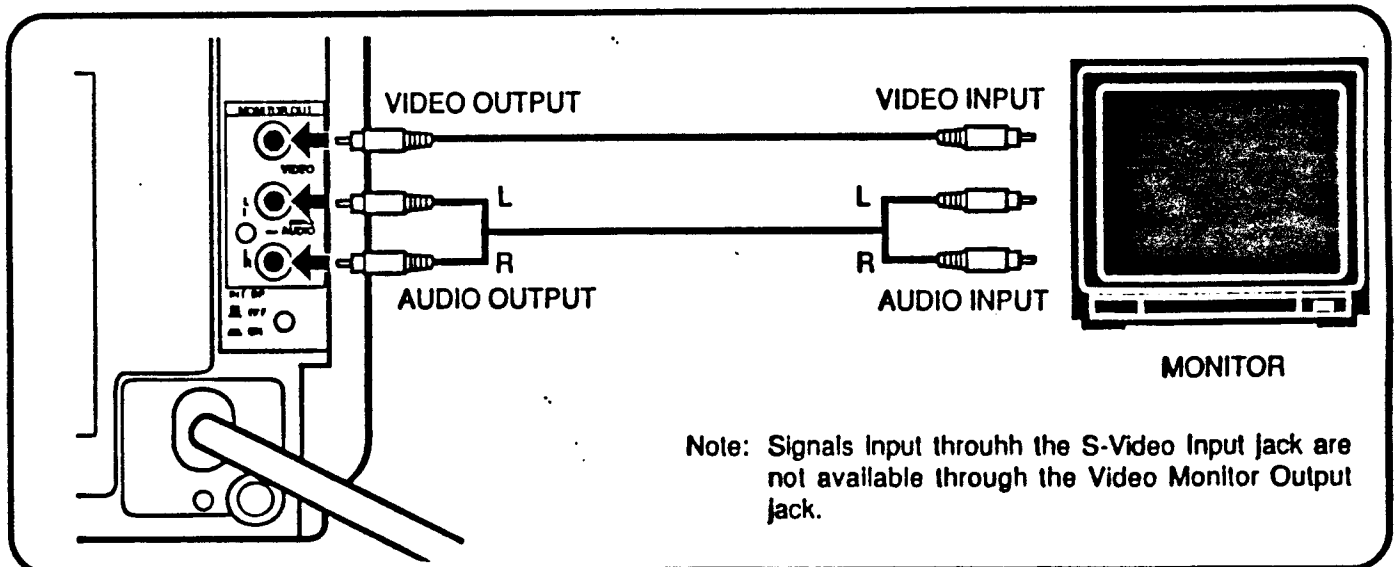
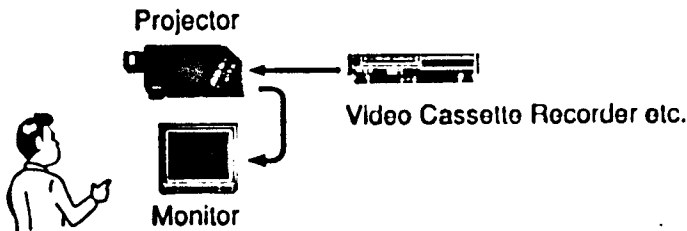
## CONNECTION TO VIDEO CAMERA/CAMCORDER



# CONNECTION TO EXTERNAL AMPLIFIER & SPEAKERS



# CONNECTION TO MONITOR OUTPUT



# AIR FILTER CARE AND CLEANING

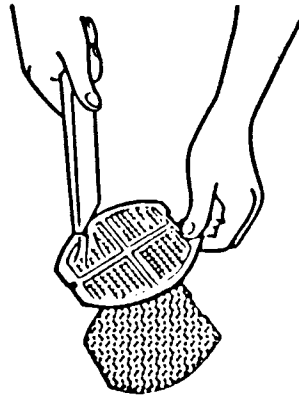
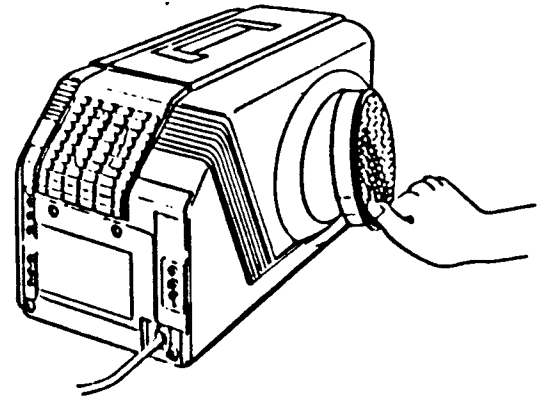
The removable air filter prevents dust from accumulating on the surface of the projection lens and projection mirror. Should the air filter become clogged with dust particles, it will reduce the cooling fan's effectiveness and may result in internal heat built up and reduced lamp life.

To clean the air filter, following the cleaning procedures below:

1. Turn the POWER ON/OFF button OFF.
2. Remove the air filter cover from side of the projector.
3. Remove the air filter and sponge from the filter cover.
4. Clean the air filter with a vacuum cleaner.
5. Replace the air filter. Make sure that it is fully inserted.



Do not clean with water. Doing so may damage the air filter.  
Do not operate the projector with air filter removed.



## LAMP REPLACEMENT & TEMPERATURE WARNING INDICATORS

### LAMP REPLACEMENT INDICATORS

When the lamp nears the end of its service life the picture quality and color quality will deteriorate and the lamp replacement indicator will light orange.



DO NOT ATTEMPT TO REMOVE OR CHANGE THE PROJECTION LAMP. THE LAMP CAN ONLY BE CHANGED BY QUALIFIED SERVICE PERSONNEL.

### TEMPERATURE WARNING INDICATOR

The TEMPERATURE WARNING INDICATOR lights red when the internal temperature of the projector exceeds the normal temperature.

Possible causes for the temperature warning may be:

1. Ventilation slots at the rear or bottom of the projector are blocked. In such an event, reposition the projector so that ventilation slots are not obstructed.
2. Air filter is clogged with dust particles. Remove dust from the air filter by following instructions in the Air Filter Care and Cleaning section above.

If temperature warning indicator remains on after performing the checks listed above, cooling fan/internal circuits may have malfunctioned. Request service from an authorized Sanyo dealer or service station.

# HELPFUL HINTS - Problems and Solutions

BEFORE REQUESTING SERVICE, CHECK THE FOLLOWING CHART.

Problem:	Try these Solutions:
No power	<ul style="list-style-type: none"><li>• Plug the projector into an AC outlet. :</li><li>• If STANDBY INDICATOR does not light green, check to be sure AC power is being supplied to the outlet.</li><li>• Press the POWER ON/OFF button to ON.</li></ul>
No sound from internal speaker	<ul style="list-style-type: none"><li>• Press the VOLUME (▲) and (▼) to (▲).</li><li>• Press the INT. SPEAKER button to ON.</li><li>• Check audio cable connection with audio input source.</li></ul>
Picture is reversed	<ul style="list-style-type: none"><li>• Press the REVERSE PICTURE SCANNING button.</li></ul>
Picture blurred or color faded	<ul style="list-style-type: none"><li>• Adjust the FOCUS control.</li><li>• Adjust the ZOOM control.</li><li>• Make sure the projector is at a 90° angle to the projection screen.</li><li>• Move the projector closer is at the screen.</li></ul> <p>NOTE: Moving the projector from a cool temperature location to a warm temperature location may result moisture condensation on the lens. In such an event, leave the projector OFF and wait until condensation disappears.</p>

## SERVICE

**WARNING:** High voltages are used to operate this projector. Do not remove the back from your unit.

You can often correct operating problems yourself. If the projector fails to work properly, locate the operating problem in the Helpful Hints Chart. To correct them, try the "Solutions."

Sanyo Service is easily obtained. If after following all operating instructions, you find that service is necessary, contact the SFS Corporation in Los Angeles, or the store where you purchased the unit. Give the model number and explain the difficulty. We will advise you how to obtain service.

# TECHNICAL SPECIFICATIONS

## SPECIFICATIONS

Projector Type	Portable LC color video projector
Dimensions (H x W x D)	10" (253mm) x 8.9" (226mm) x 22" (560mm)
Net Weight	26.4 lbs. (12.0kg)
LCD Panel System	3.1" TFT Active Matrix type (Thin Film Transistor) x 3
Number of Pixels	331,350 (110,450 x 3)
Projection Image Size(Diagonal)	Adjustable from 22" to 300"
Contrast Ratio	100 : 1
Horizontal Resolution	450 TV lines
Projection Lens	14.2 ~ 4.5 lens with 5.31" ~ 10.63" Motor-drive zoom and focus
Lens Aperture	2.64" (67mm)
Throw Distance	6.6' (2.0m)~ 44' (13.3m)
Projection Lamp	Metal Halide, 160 watt
Projection Mirror	Dichroic mirror system
NTSC Video Input Jacks	RCA type x 2, DIN 4 pin (S-Video) x 1
Monitor Video Output Jack	RCA type x 1
Line Audio Input Jacks	RCA type x 2
Monitor Audio Output Jack	RCA type x 1
Internal Speaker	1.97" (50mm) x 3.54" (90mm) oval x 1
Amplifier	INT. SP. Monaural, 3 watt RMS (T.H.D. 10%)
Operating/Image Controls	<p>Projection unit:</p> <p>Power ON/OFF, Volume, Zoom/Focus, Auto, Menu, Level Control, Video Mode, Superimpose, Picture Scanning, Blue Back ON/OFF, Keystone and INT. Speaker ON/OFF</p> <p>Remote Control unit:</p> <p>Power ON/OFF, Video Mode Volume, Volume Mute, Zoom, Focus, Auto, Menu Level Control, Expand and Keystone</p>
LED Indicators	Power ON/OFF, Standby, Temperature Warning, Lamp Replacement
Image Elevation Adjustment	Up 5°, Down 5°
Rating Power Supply	120V AC, 50/60Hz
Power Consumption	230 Watts
AC Power Cord	Min. 10' (3m), 2-Wire (Polarized plug)
Operating Temperature	5°C ~ 35°C
Storage Temperature	-10°C ~ 60°C
Remote Control Battery	(3) AA type
Standard Accessories	Remote Control Unit, IVC Cable 5' (1.5m), Owner's Instruction Manual, Protective Dust Cover



This symbol on the nameplate means the product is Listed by Underwriters' Laboratories Inc. It is designed and manufactured to meet rigid U.L. safety standards against fire, casualty and electrical hazards.

For assistance in obtaining repairs or technical information, contact the following Service Regional offices:

**SFS Corporation**

**New Jersey Office**  
210 Riser Rd.  
Little Ferry, NJ 07643  
201-641-3000

**Los Angeles Office**  
1200 W Artesia Blvd.  
Compton, CA 90220  
213-537-5830

**Chicago Office**  
600 Supreme Dr.  
Bensenville, IL60106  
708-350-1505

**Georgia Office**  
1790 Corp. Dr., Suite 340  
Norcross, GA30093  
404-925-8900

**LCD PROJECTOR LIMITED WARRANTY**

THIS WARRANTY IS VALID ONLY ON SANYO PRODUCTS PURCHASED AND USED IN THE UNITED STATES OF AMERICA EXCEPT U.S. TERRITORIES AND PROTECTORATES. THIS WARRANTY APPLIES ONLY TO THE ORIGINAL USER.

Subject to OBLIGATIONS and EXCLUSIONS found below, this product is warranted against manufacturing defects in material and workmanship for the period or Parts + Labor specified and Sanyo will repair or replace (at our option) any parts found to be defective. For the period specified under Parts, Sanyo will provide a replacement for any defective parts.

LABOR	PARTS		IN HOME SERVICE
	PROJECTION LAMP	OTHER PARTS	
1 YEAR	90 DAYS	1 YEAR	NONE

Each warranty period commences on the date of purchase by the original user. Performance under this warranty must be obtained at a Sanyo Authorized Service Station. A list of Sanyo Authorized Stations can be obtained from SFS Corporation, 1200 W Artesia Blvd, Compton, CA 90220. ATTN : Customer Information Center (1-800-421-5013)

**OBLIGATIONS**

1. This warranty will be honored only on the presentation of the original dated bill of sale or sales slip.
2. Transportation of the product to and from the service station is the responsibility of the user unless specifically stated otherwise in this warranty.

**EXCLUSIONS**

1. THIS WARRANTY SHALL NOT COVER ADJUSTMENT OF CUSTOMER OPERATED CONTROLS AS EXPLAINED IN THE APPROPRIATE MODEL'S INSTRUCTION MANUAL OR PRODUCTS WHICH HAVE BEEN ALTERED, REPLACED, OR HAVE MISSING SERIAL NUMBERS.
2. This warranty shall not apply to the antenna nor to appearance or accessory items including, but not limited to cabinets, cabinet parts, knobs, batteries, cartridges, or styli.
3. This warranty does not apply to uncrating, setup, installation, or the removal and reinstallation of products for repair.
4. This warranty shall not apply to repairs or replacements necessitated by any cause beyond the control of Sanyo including, but not limited to, any malfunction, defects or failure caused by or resulting from unauthorized service or parts, damaged or broken video heads, improper maintenance, modification or repair by the user, abuse, misuse, neglect, accident, fire, flood or other Acts of God, incorrect line voltage, damage or image burns to television picture tubes caused by or attributable to the use of any accessory, electronics game or device, or damage caused to image pickup tubes by excessive light.

The foregoing is in lieu of all other expressed warranties and Sanyo does not authorize any party to assume for it any other obligation or liability. In no event shall Sanyo be liable for special or consequential damages arising from the use of this product, or for any delay in the performance or this warranty due to causes beyond our control.

SOME STATES DO NOT ALLOW LIMITATIONS ON HOW LONG AN IMPLIED WARRANTY LASTS AND/OR DO NOT ALLOW THE EXCLUSION OR LIMITATION OF CONSEQUENTIAL DAMAGES, SO THAT THE ABOVE LIMITATIONS ON IMPLIED WARRANTY AND CONSEQUENTIAL DAMAGES MAY NOT APPLY TO YOU.

THIS WARRANTY GIVES YOU SPECIFIC LEGAL RIGHTS, YOU MAY HAVE OTHER RIGHTS WHICH VARY FROM STATE TO STATE.

**ATTENTION**

For your protection in the event of theft or loss of this product, please fill in the information requested below:

Model No. \_\_\_\_\_

Serial No. \_\_\_\_\_

(Located on back or bottom side of unit.)

Date of Purchase \_\_\_\_\_ Price \_\_\_\_\_

Where Purchased \_\_\_\_\_



21350 Lassen Street  
Chatsworth, California 91311

Printed in Japan  
Part No. 610 233 8935 (4AA6P100599-- G8BD)