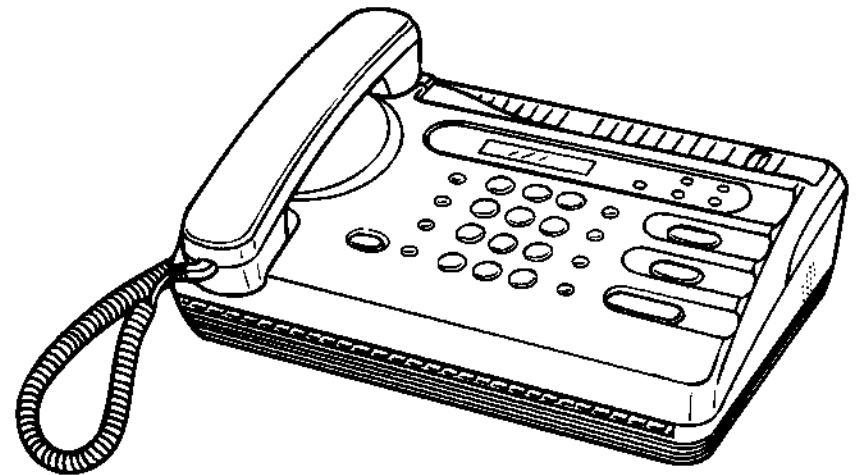


SANYO

INSTRUCTION MANUAL

SFX-10

Facsimile Transceiver



SANYO

SANYO Electric Co., Ltd.

Introduction

Thank you for purchasing the SFX-10. This international-standard high-speed facsimile transceiver has many outstanding features, including:

- 5-page automatic document feed
- Automatic switching between telephone, fax machine and answering system (connection ready)
- 12-number automatic dialing memory
- 30-meter roll of recording paper
- 16-character digital display
- Built-in telephone handset
- Half-tone (16 shades)

In order to use the SFX-10 effectively and keep it in good working order for a long time, read this instruction manual thoroughly and keep it for future reference.

Table of contents

Before use	
Precautions	4
Unpacking	4
Part names and functions	5
Accessories	6
Operation panel	7
Telephone line and AC connections	9
Setting the dialing mode switch	10
Recording paper	11
Confirming proper operation (Copying)	12
Setting up	
Header print (setting your station name and fax number)	13
Entering names	14
Calendar and clock	16
Telephone use	
Phone calls	17
Hold	18
Redial	18
One-touch dial	19
Speed dial	20
Extension telephone/answering machine	21
Fax use	
Original documents	22
Transmission	23
Contrast/Resolution	23
Placing original documents	24
Manual dialing transmission	25
Automatic dialing transmission	26
One-touch dialing transmission	27
Speed dialing transmission	28
Overseas transmission	28
Redial	29
Reception	30
Reception modes	30
Auto reception mode	31
Manual reception mode	32
Answer reception mode	33
Remote reception	34
Duplex Ringing	35
Phone reservation	36

Programming functions

One-touch dial/speed dial memory programming	37
Printing a number list	39
Feature switches	40
Feature switch list	42

Maintenance

Thermal paper handling	44
Jammed original	45
Jammed recording paper	45
Cleaning	46
Troubleshooting	48

Specifications

Specifications	50
Optional accessories	50

Precautions

Placement

- Avoid placing the SFX-10 in humid or dusty places, or in places where it will be exposed to excessive heat (direct sunlight, heaters, etc.).
- Do not step on or set anything on the AC cord. **DAMAGE TO THE AC CORD IS A SAFETY RISK AND CAN CAUSE A FIRE.**
- Install the unit only on a stable surface.
- Do not connect the SFX-10 to the same AC outlet as appliances that generate large amount of interference (heater with thermostats, appliances with motors, etc.). It is best to use a completely separate electrical outlet.
- Keep the SFX-10 away from water. If water accidentally enters the unit, unplug the AC power cord immediately. **DO NOT PLUG THE UNIT AGAIN.** Contact an authorized Sanyo service center or dealer.

Handling

- Avoid bending, kinking or damaging the power cord.
- Never insert or remove the power cord with wet hands. Also, be sure to hold the cord by the plug when removing it from the outlet.
- Do not remove any parts that are held in place with screws. (The SFX-10 does not contain any user-serviceable items.)
- Maintain standard room temperature 5°C-35°C(41°F-95°F) during use. Do not subject the unit to shock or vibration. Do not move the unit while it is in use.
- A rapid increase in room temperature in cool weather can cause condensation to form inside the unit. If this happens, wait at least 15 minutes after turning the unit on before attempting to operate it. Failure to do so may result in paper jams and/or poor print quality.
- When cleaning the cover or operation panel of the unit, wipe gently using a damp cloth to which a small amount of a neutral detergent has been added. **NEVER USE SOLVENTS OR CHEMICALLY TREATED CLOTHS.**

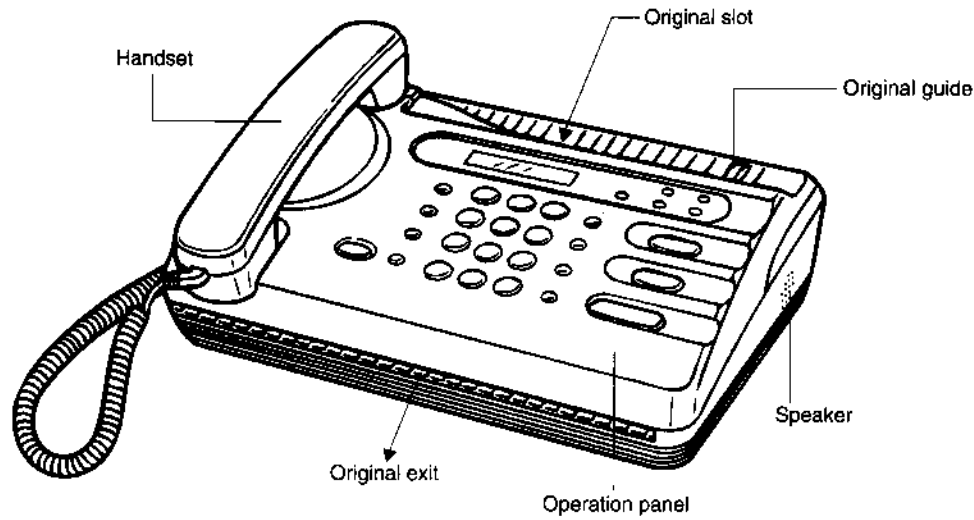
Unpacking

To unpack the SFX-10:

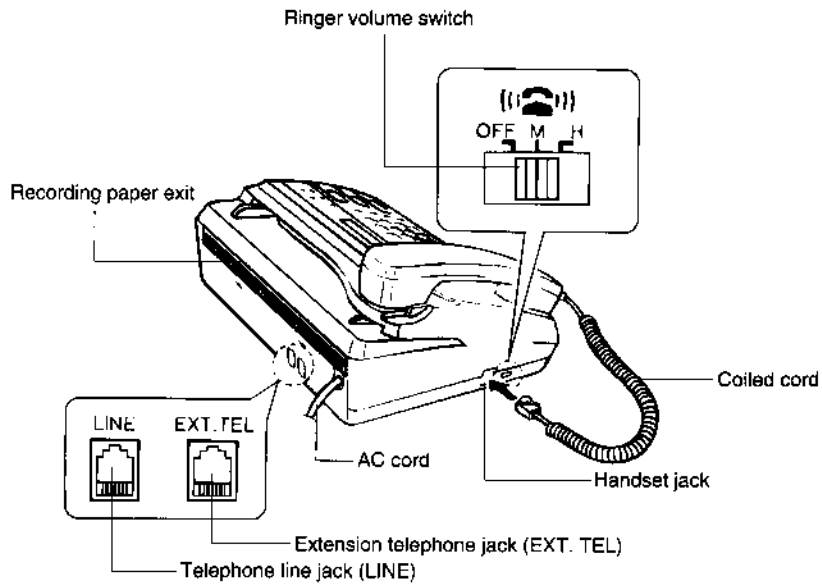
1. Open the carton.
2. Remove the accessories (handset, recording paper roll, etc.) from the carton.
3. Remove the fax machine along with the foam braces on both sides.
4. Remove the polyethylene wrapping around the fax machine.
5. Remove the transportation tapes.
6. Save the carton and the foam braces for later storage and/or shipping.
7. Place the machine where there is access to an AC outlet and a modular phone jack. (Be sure to observe the precautions.)

Part names and functions

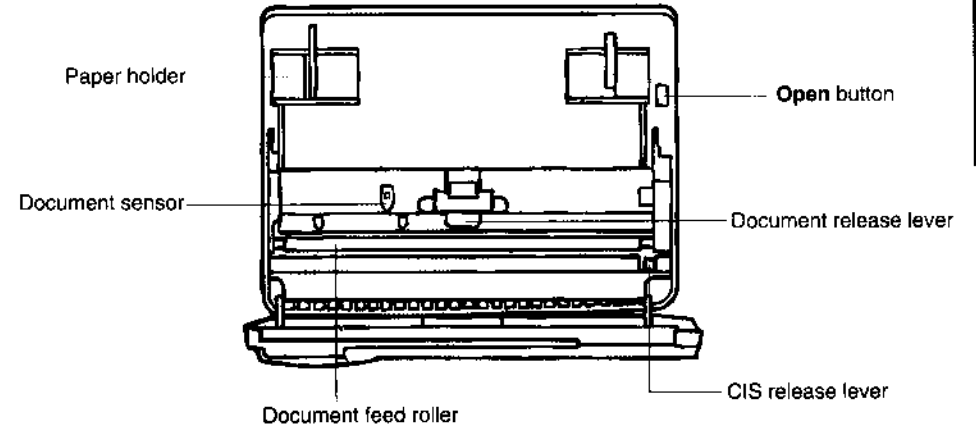
Front view



Rear view and left side



Inside view

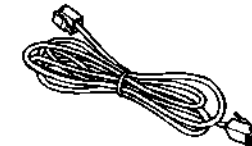


Before use

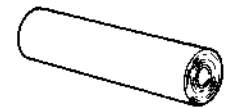
Accessories (included with machine)



*Handset with coiled cord x 1
*Instruction manual x 1

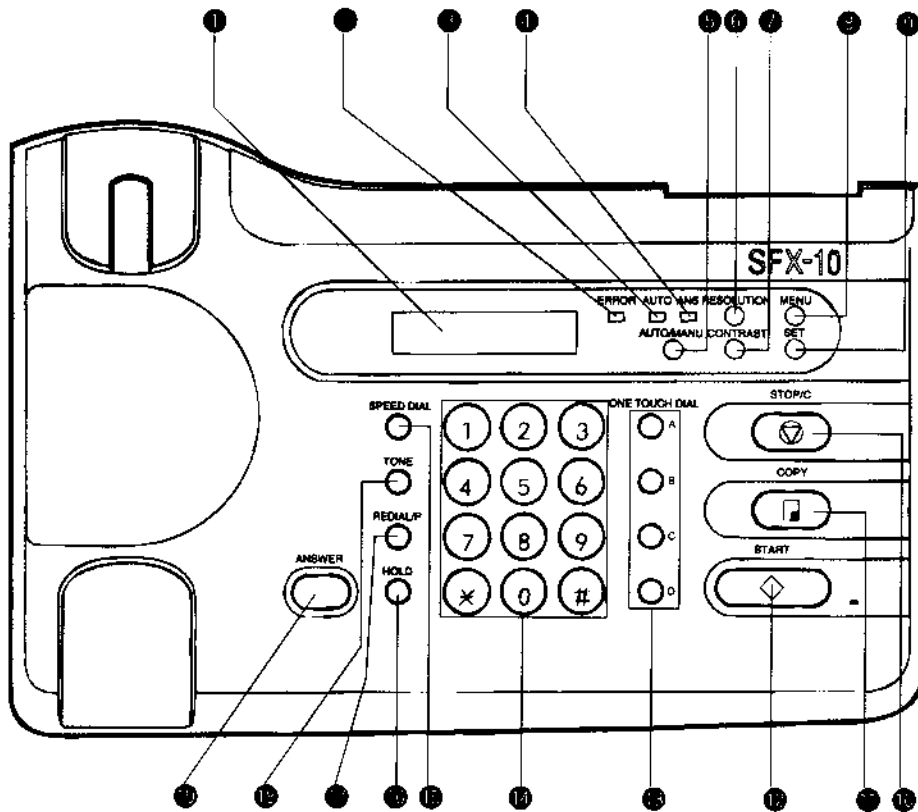


*Telephone line cord



*Thermal paper x 1

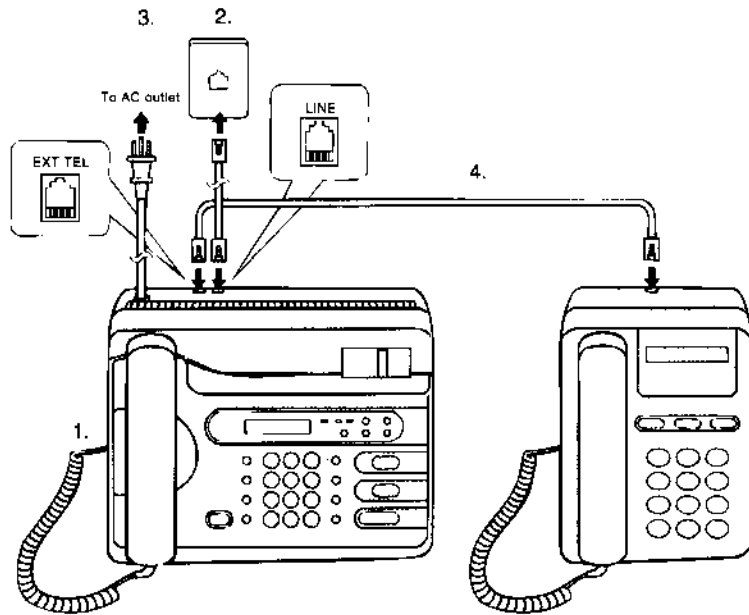
Operation panel



1. Display	● Shows calendar and clock functions, operation guidance, machine status, etc.
2. ERROR lamp	● Lights if a communication error occurs.
3. AUTO lamp	● Lights when AUTO reception mode is selected.
4. ANS lamp	● Lights when ANSWER reception mode is selected.
5. [AUTO/MANU] key	● Press this key to select the reception mode AUTO/MANUAL.
6. [RESOLUTION] key	● Press this key to select resolution settings.
7. [CONTRAST] key	● Press this key to select contrast settings.
8. [MENU] key	● Press this key when selecting various functions.
9. [SET] key	● Press this key to confirm selections.
10. [STOP/C] key	● Press to interrupt transmission/reception/copying or to stop the ERROR indicator lighting. ● Press to cancel various setting and dialing functions and to remove an original document that has been placed in the unit.
11. [COPY] key	● Press to make a copy.
12. [START] key	● Press to start transmission or manual reception.
13. ONE-TOUCH keys	● Frequently dialed numbers can be stored in memory using these 4 keys.
14. Number keys 0-9 # *	● These keys are used to dial fax and phone numbers and to change various functions.
15. [SPEED DIAL] key	● Press this key when using speed dial.
16. [HOLD] key	● Temporarily places a call on hold.
17. [REDIAL/P] key	● Press this key to redial the last number dialed. ● Press this key to insert a pause between numbers being dialed.
18. [TONE] key	● Press this key to switch from pulse dialing to Touch-Tone dialing.
19. [ANSWER] key	● Press this key to set to answer mode.

Before use

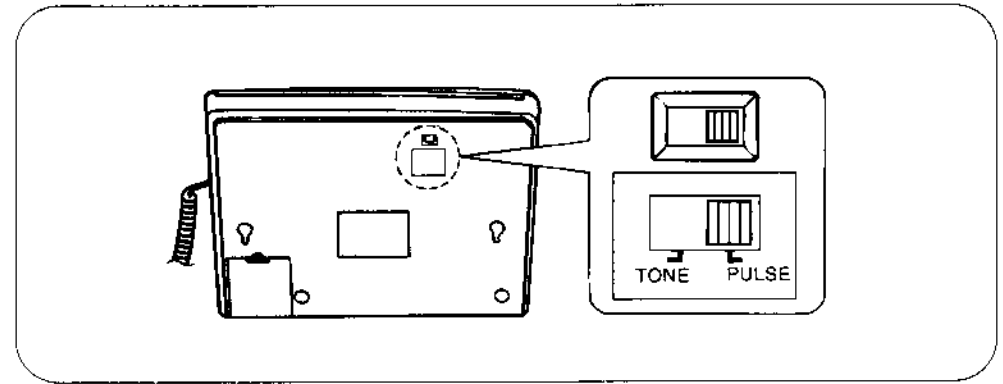
Telephone line and AC connections



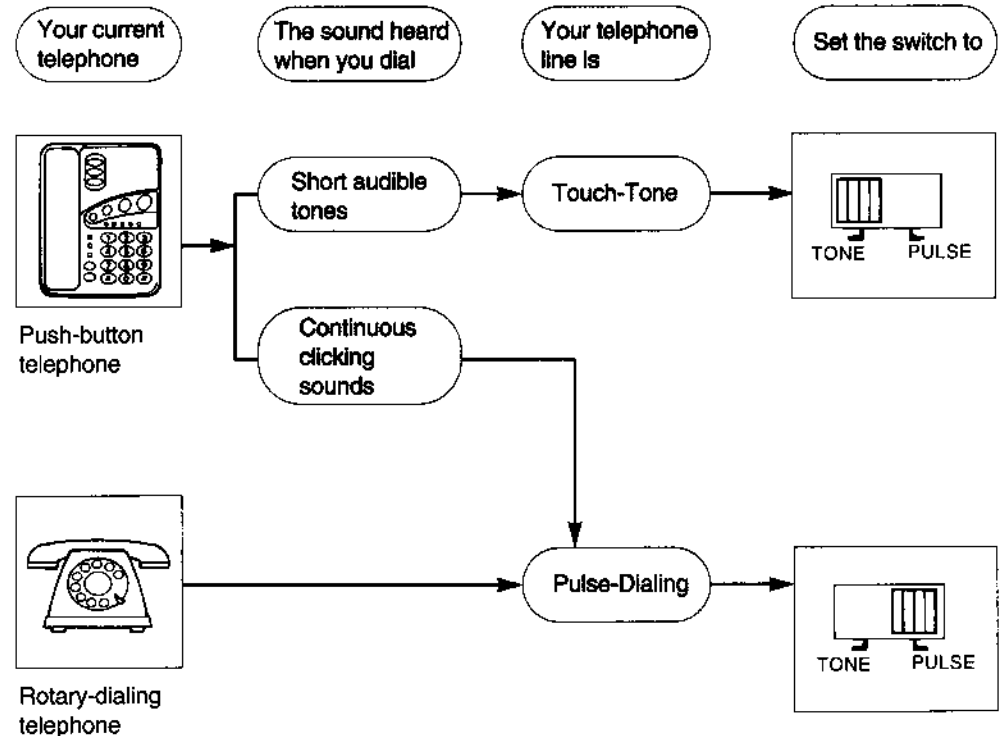
1. Connect the handset cord into the handset jack.
2. Connect to telephone line.
 - The SFX-10 should not share a telephone line cord with other communication equipment, as this may obstruct the proper functioning of the unit.
3. Connect to AC plug into AC outlet.
 - The socket-outlet is to be installed near the equipment and shall be easily accessible.
4. Connect extension telephone or answering machine, if required.
 - Another telephone or answering machine can be connected to the SFX-10.

Setting the dialing mode switch

Set the dialing mode switch (DIAL) to the correct position for your telephone line.



If you are not sure which dialing system your telephone is using, contact your telephone company.

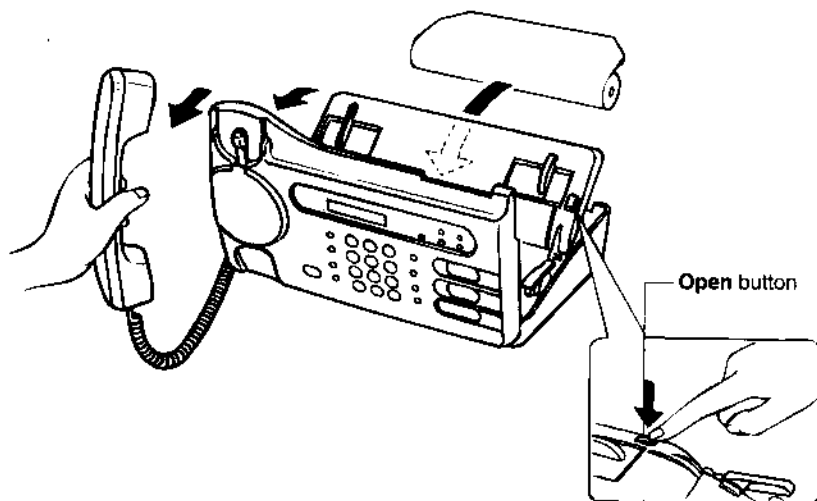


Recording paper

How to install the recording paper

1. Open the recording paper cover.
 - (1) Take off the handset.
 - (2) Lift the operation panel.
 - (3) Press [OPEN] button.
2. Place the supplied roll, in the direction shown in the diagram, in the paper holder with both sides seated securely.
 - Remove any slack from the roll.

3. Pull out the end of the roll from the recording paper exit until it extends approx 4 inches.
Close the recording paper cover by pressing both left and right corners of the far end of the cover firmly.
4. Cut the extra recording paper.
Replace the handset.



* Use only the recording paper specified for the SFX-10.

High-grade thermal paper

The SFX-10 is compatible with the high-grade thermal paper, a new type fax recording paper with plain-paper quality. Unlike regular thermal paper, the high-grade thermal paper resists fading with time, can be written on with pencils and can be erased.

SANYO Type: FPHG25MA (3RE2182800450), 216 mm(8.5") wide and 25m(82') long.

Thermal paper

SANYO Type: FP30M (R-4079448-1), 216 mm(8.5") wide and 30m(98') long.

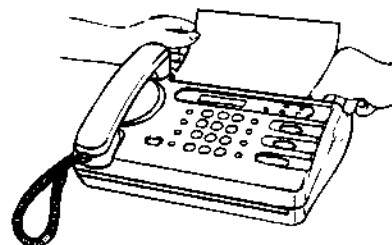
To purchase, contact your dealer.

Confirming proper operation (Copying)

Make a copy to confirm that the unit is operating properly.

1. Place the original document face down.
Adjust the paper guide to the width of the document.

STD NORMAL



2. Press [COPY].
→ Copying begins.

*** COPY ***

3. After copying is completed, tear the recording paper.



- For copying, the SFX-10 uses FINE resolution only. If the [RESOLUTION] key is set to STD, FINE setting is automatically used.

Header print (Setting your station name and fax number)

Once you have programmed your station name and fax number into the SFX-10, this information is printed at the top of all faxes you send.

1. Press **[MENU]** 3 times.

3 : STATION CODE ?

2. Press **[SET]**.

█ :ABCDE

3. Enter your station name.

A maximum of 24 characters can be entered.
(See page 17, 18 for detailed instructions.)

4. Press **[SET]**.

█

5. Enter your fax number.

A maximum of 20 digits can be entered.

1 2 3 4 5 6

6. Press **[SET]**.

23 Oct. '94 12:00

7. Print a number list (see page 39) to make sure that your station name and fax number have been programmed correctly.

- To interrupt programming, press **[STOP/C]**.
- If you make a mistake in entering numbers, press **[STOP/C]** and then re-enter the number.
- To enter a hyphen (-) between two digits, press **[SPEED DIAL]**.
- To enter a plus sign (+) preceding your fax number, press **[HOLD]**.
- The header can be printed either outside the original document (in the top margin) or inside the document itself.

You can select the desired setting using feature switch No. 20 (see page 42).

Default setting is printing outside of the original.

NOTE: If you choose to print the header inside the document, the top of the original document (0.39" (1 cm)) may not be reproduced.

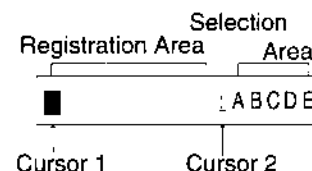
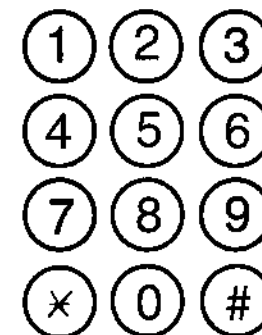
Entering names

You can enter names when programming header print, one-touch dial and speed dial.

The characters are separated into 3 groups as shown below.

- To enter the names, use the keys 2, 4, 5, 6, 8, 0, * and # which are shown light in the diagram.

Group 1	Group 2	Group 3
ABCDE	abcde	12345
FGHIJ	ghij	67890
KLMNO	klmno	, . : ; ' "
PQRST	pqrst	+ - / & *
UVWXY	uvwxy	# ' " ()
Z	z	< > ! ? =



Selecting the character

- To select the character group, press **[5]**.
Each time you press **[5]**, the display shows the head line of characters of each group.
- To change the character on the display among the group, press **[8]**.
Each time you press **[8]**, the display shows the characters of the next line.
(Each time you press **[2]**, the display shows the characters of the previous line.)
- To move Cursor 2 to the right, press **[6]**.
- To move Cursor 2 to the left, press **[4]**.

Programming the character

- When the desired character is shown at Cursor 2 in the Selection Area, press **[#]** and the character will be programmed in the Registration Area at Cursor 1.
- To move Cursor 1 to the right, press **[#]** when Cursor 2 is positioned under colon (:).
- To move Cursor 1 to the left, press **[*]** when Cursor 2 is positioned under colon (:).
- To erase the character and to make a space, press **[0]**.

Programming letters

Example: SFX

1. Press [8] to select "PQRST".
Press [6] to move Cursor 2 to "S".
Press [#] to fix "S" and then Cursor 1 will move to the right.

S ■ : PQRST

2. Press [8] to select "FGHIJ".
Press [#] to fix "F" and then Cursor 1 will move to the right.

SF ■ : FGHIJ

3. Press [8] to select "UVWXY".
Press [6] to move Cursor 2 to "X".
Press [#] to fix "X" and then Cursor 1 will move to the right.

SFX ■ : UVWXY

Programming numbers

Example: 10

1. Press [5] to select the character group 3.
Press [#] to fix "1" and then Cursor 1 will move to the right.
2. Press [8] to select "67890".
Press [6] to move the Cursor 2 to "0".
Press [#] to fix "0" and then Cursor 1 will move to the right.

SFX1 ■ : 12345

SFX10 ■ : 67890

*If you make a mistake in entering a letter or number, simply press [#] to move the cursor right or [⌫] to move left to the appropriate space and then enter the correct letter or number.

*If Cursor 2 is at ":" position, [#] and [⌫] will only effect the movement of Cursor 1.

*If programming is interrupted for approximately 1 minute, the display returns to stand-by mode. If this happen, you must begin programming again from step 1.

Calendar and clock

To set the date and the clock time.

1. Press [MENU] 2 times.

2 : TIME SET ?

2. Press [SET].

22.10 '94 10:00

3. Enter the day, month, year and time using the number keys.

23.10 '94 12:00

- The time must be entered using 24-hour system.

- The day, month and year should be entered in 2 digits each.

Example: to enter 23 October, 1994, 12:00, press [2], [3], [1], [0], [9], [4], [1], [2], [0] and [0].

4. Press [SET].

23 Oct. '94 12:00

*If you make a mistake, move the cursor to the appropriate place, then enter the correct number.

Press [#] to move the cursor right.

Press [⌫] to move the cursor left.

Phone calls

Making phone calls

1. Lift the handset.

- You can hear the dial tone.

23 Oct. '94 12:00

2. Dial the number you want to call.

123456

3. When the call is answered, talk.

123456

4. Hang up after the conversation is completed.

23 Oct. '94 12:00

Answering telephone calls

1. The telephone rings.

2. Lift the handset and talk.

3. Hang up after the conversation is completed.

*If you hear an incoming fax tone when you lift the handset, replace the handset after the display shows RECEIVE.

If the reception is not initiated, press [START] to initiate reception.

Hold

1. Press [HOLD] during a telephone call.

- ➔The holding tone is released.

*** HOLD ***

2. Replace the handset.

- The call is put on hold.

*** HOLD ***

3. Lift the handset to continue the conversation.

*If you do not replace the handset at step 2, press [HOLD] again to resume the conversation.

*If an extension phone is picked up while a call is on hold, the extension phone user cannot talk with the other party.

Redial

The [REDIAL/P] key redials the last number dialed.

1. Lift the handset.

- You can hear the dial tone.

23 Oct. '94 12:00

2. Press [REDIAL/P].

- ➔The last number dialed is redialed.

123456

One-touch dial

This feature allows you to dial a stored number at one-touch of a single button. Before one-touch dialing can be used, the phone numbers of the parties must be programmed into memory. A maximum of 4 one-touch dialing numbers can be stored in memory. (See page 37 for programming instructions.)

To place a call using one-touch dialing buttons:

1. Lift the handset.

23 Oct. '94 12:00

2. Press one-touch key (A-D) for the party you want to call.

DEALER A

➔The phone number programmed in the one-touch dialing memory is dialed out.

3. When the call is answered, talk to the party.

23 Oct. '94 12:00

Speed dial

This feature allows you to place a call without dialing the entire number. Before speed dialing can be used, the phone numbers of the parties must be programmed into memory. A maximum of 8 speed dialing numbers can be stored in memory. (See page 37 for programming instructions.)

To place a call using speed dialing:

1. Lift the handset.

23 Oct. '94 12:00

2. Press [SPEED DIAL].

S. D : ■

3. Enter the speed dialing number (1-8) for the number you want to call.

DEALER A

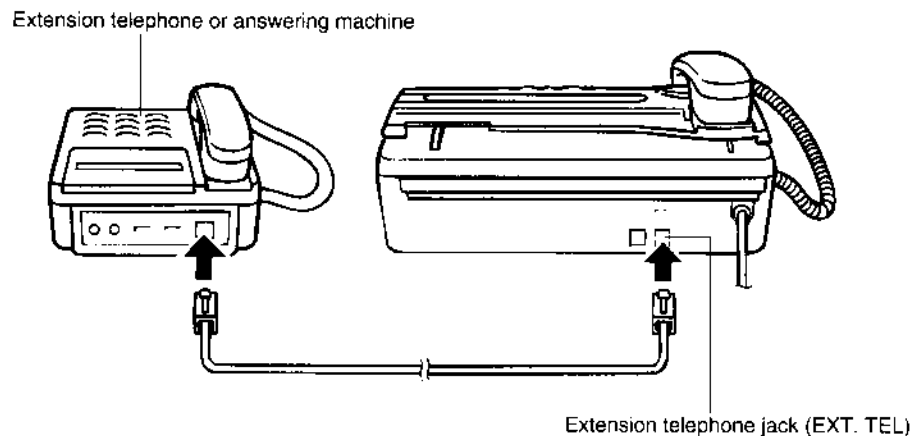
➔The phone number programmed in the speed dialing memory is dialed.

4. When the call is answered, talk to the party.

23 Oct. '94 12:00

Extension telephone/answering machine

An answering machine or extension phone can be connected to the SFX-10.



Answer reception mode

When an answering machine is connected to the SFX-10, you can set the SFX-10 to receive both voice and fax messages while you are away. (See page 30 and 33 for more details.)

Remote reception

You can switch the SFX-10 to fax reception mode from the connected extension phone if a caller wants to transmit a fax after a telephone conversation. (See page 34.)

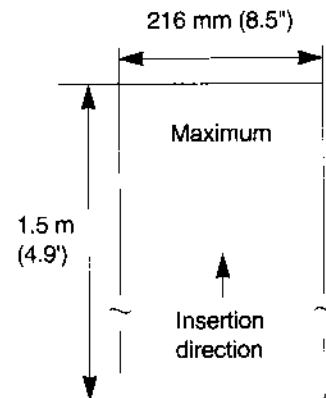
*When the AC cord is disconnected, the extension phone can be used.

*The connected extension phone and the unit can not be used at the same time.

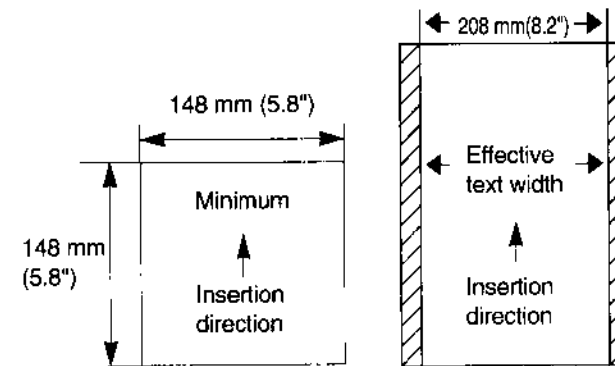
*If you have initiated the call from the extension phone, remote reception will not work.

Original documents

■ Transmittable original size



■ Effective text width



Note: An original other than specified should be reduced or enlarged by a photocopier then the copy can be used as an original document.

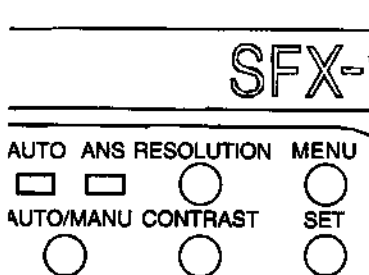
■ Effective thickness

	1 original sheet	multi sheets
thickness (per sheet)	0.05-0.15 mm (0.002"-0.006")	0.08-0.13 mm (0.003"-0.005")

■ Notes on the suitability of documents:

- Allow ink and/or glue to dry completely before inserting a document.
- Do not transmit curled or folded documents.
- Make sure that any paper clips, staples or pins have been removed from documents
- When the original is carbon paper, waxed paper or vinyl-coated paper, use a photocopy of the original.
- Never use documents thicker than 0.15 mm (0.006"), metal sheets or cloth. Use a photocopy instead.

Contrast/Resolution



The SFX-10 allows you to select different contrast/halftone and resolution modes for fax transmission and copying. Select the most suitable modes for your original documents after placing the documents in the original slot. You can also set the SFX-10 either to remain in the selected mode until another selection is made, or to return to the default mode after each transmission/copying. Use the feature switch No. 27 and 28 to switch between **Not return** and **Return home** modes. (See page 43.) The initial factory setting is in the **Not return** mode.

[CONTRAST]

NORMAL

For normal contrast documents.



LIGHT

For low contrast documents



HALFTONE

For transmitting or copying halftone documents (photographs, for example).

When HALFTONE is selected, the resolution mode is automatically set to FINE.

[RESOLUTION]

STD

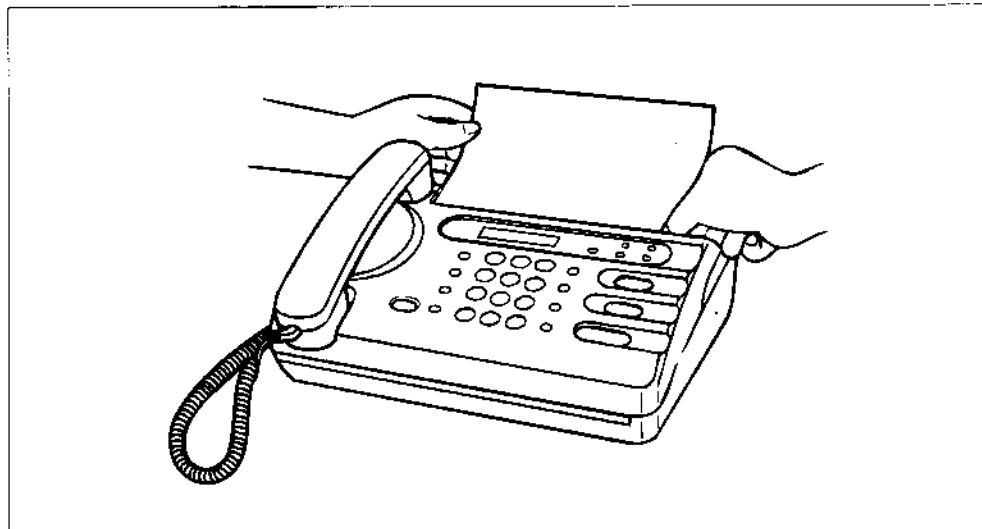
For text in standard typefaces.



FINE

For text with fine type and for drawings.

Placing original documents



1. Adjust the paper guide to the width of the document.
2. Place the document face down between the guides and gently insert it in the original slot. The document advances slightly.

● When transmitting multiple documents:

Adjust the paper guide to the width of documents. The first page must be on the bottom.

Note:

- Up to 5 sheets can be placed in the original slot at one time. When transmitting more than 5 sheets, place the first 5 and then add more during transmission.

Manual dialing transmission

1. Place the original document face down.
Adjust the paper guide to the width of the document. (Max. 5 sheets.)

STD NORMAL

2. Select a contrast/resolution mode if necessary. (See page 23.)

FINE LIGHT

3. Lift the handset and dial the number.

1 2 3 4 5 6

4. After the conversation, press **[START]**.
➔The SFX-10 switches to transmission mode, transmission begins.

DEALER A

5. Replace the handset.

*If you hear a receiving fax tone before pressing **[START]** at step 4, replace the handset after the display shows **TRANSMISSION**. The SFX-10 transmits the original document automatically.

The feature switch No. 54 must be set to the **ON(01)** position for automatic transmission and reception. (Default position of factory setting is **ON**.) (See page 43.)

*Press **[STOP/C]** to interrupt a transmission or to remove a document set for transmission.

*If you make a mistake when entering a phone number, press **[STOP/C]**, then enter the correct number.

Automatic dialing transmission

1. Place the original document face down.
(Max. 5 sheets.)

STD NORMAL

2. Select a contrast/resolution mode if necessary. (See page 23.)

FINE LIGHT

3. Dial the number using the number keys.

1 2 3 4 5 6

4. Press **[START]**.
➔When the line is connected, transmission begins automatically.

DEALER A

*Press **[STOP/C]** to interrupt a transmission or to remove a document set for transmission.

*If you make a mistake when entering the number, press **[STOP/C]**, then enter the correct number.

One-touch dialing transmission

1. Place the original document face down.

STD NORMAL

2. Select a contrast/resolution mode if necessary. (See page 23.)

FINE LIGHT

3. Press the one-touch key (A-D) for the party you want to send a fax to.

➔Dialing starts.

● The stored party's name in the one-touch key is displayed.

DEALER A

4. When the line is connected, transmission begins automatically.

● The display shows the other party's name or phone number.

DEALER A

*For detailed instructions on programming one-touch dial numbers, see page 37 and 38.

*Press [STOP/C] to interrupt a transmission or to remove a document set for transmission.

*If you make a mistake when pressing one-touch key, press [STOP/C], then enter the correct number.

Speed dialing transmission

1. Place the original document face down.

STD NORMAL

2. Select a contrast/resolution mode if necessary. (See page 23.)

FINE LIGHT

3. Press [SPEED DIAL].

S. D : ■

4. Press the speed dial number (1-8) for the party you want to send a fax to.

➔Dialing starts.

● The stored party's name in the speed dial is displayed.

DEALER A

5. When the line is connected, transmission begins automatically.

● The display shows the other party's name or phone number.

DEALER A

*For detailed instructions on programming speed dial numbers, see page 37 and 38.

*Press [STOP/C] to interrupt a transmission or to remove a document set for transmission.

*If you make a mistake when pressing the speed dial number, press [STOP/C], then enter the correct number.

Overseas transmission

When transmitting a fax overseas, occasionally an Error alarm may occur due to poor phone line condition. To try and compensate for the phone line problem, use the overseas transmission function.

1. Place the original document face down.

STD NORMAL

2. Press [SPEED DIAL] then, press [#].

● Overseas transmission function has been set.

4800BPS SET

3. Dial the party you want to send a fax to.

NOTE: Overseas transmission is canceled automatically after the transmission.

This function may also be used for local communication when an error occurs.

Redial

While attempting fax transmission if a number that has been dialed (using manual dialing and one-touch/speed dialing) is busy, the SFX-10 automatically redials. You can also redial manually by pressing the [REDIAL/P] key.

Automatic redial

The dialed number is automatically redialed. (If the document has been removed, automatic redialing is canceled.)



*The SFX-10 is set to redial a number twice.
This setting can be changed using the feature switch No. 06. (See page 42.)

Display shows:

WAITING REDIAL

Manual redial

1. Press [REDIAL/P].
➔The number is redialed.
(If the document is removed, place the original document again.)

DEALER A

Reception

Reception modes

The SFX-10 provides 3 reception modes: AUTO, MANUAL and ANSWER.
Press [AUTO/MANU] key to select the AUTO or MANUAL mode.
Press [ANSWER] key to set to the ANSWER mode.

AUTO

The SFX-10 receives incoming fax message automatically.
The feature switches No. 07 and No. 09 offer you a variety of selections regarding the auto reception mode settings. See page 42.
Incoming telephone calls are received by the built-in phone.

MANUAL

Use this mode if you use the SFX-10 mainly for phone calls.
You can receive an incoming fax message after completing a phone conversation.

ANSWER

Use this mode if you expect both phone calls and faxes while you are away.
Incoming phone calls are received by the built-in handset (and connected answering machine.)
Incoming faxes are received by the SFX-10 automatically.

See the next 3 pages for more details of each reception mode.

Auto reception mode

When an automatically transmitted fax is received:

Incoming faxes that are automatically transmitted are received automatically. The SFX-10 is initially set to ring 3 times *before receiving a fax.

*The feature switch No. 07 allows you to change the ring delay setting - how many times the SFX-10 (and your phone) should ring before turning into fax receiving mode. See page 42.

When a voice call or manually transmitted fax is received:

A voice call or manual fax transmission is automatically connected to the line after 3 rings.

Here's what happens when a voice call or manual fax transmission is received:

Incoming call.

The built-in telephone and connected extension phone both ring 3 times. (See note 1 below.)

After the line is connected, the SFX-10 automatically switches to the fax receiving mode, and fax reception starts if the SFX-10's handset is not picked up. (See note 2 below.)

Notes

1. The SFX-10 is initially set to ring 3 times before connecting to the line. You can change this number from short ring to 11 times by using the feature switch No. 07. (See page 42.)

IMPORTANT Once connected to the line, the caller is billed for the call.

2. The number of simulated rings that sound after the line is connected can be changed to no rings (position 00) or any odd number between 3-11 rings. Use the feature switch No. 09 (See page 42.) Default position of factory setting is no rings (position 00).

Manual reception mode

Use this mode if you use the SFX-10 mainly for phone calls. You can receive an incoming fax message when a phone conversation ends.

1. Lift the handset when the telephone rings.

2. When the conversation is completed, press **[START]**.
Your caller can start fax transmission after hearing a fax tone.

3. Replace the handset.

*** RECEIVE ***

4. When reception is complete, a beep sounds.

23 Oct. '94 12:00

Note:

*If you hear an incoming fax tone when you pick up the handset, replace the handset after the display shows RECEIVE.

The SFX-10 receives the incoming fax automatically.

The feature switch No. 54 must be set to the ON(01) position for automatic transmission and reception. (Default position of factory setting is ON.)

If the SFX-10 is located in a noisy place, the unit may not pick up the incoming fax signal and automatic receiving will not start. Press **[START]** key to initiate receiving.

Answer reception mode

Use this mode if you want to receive both phone messages and faxes while you are away. (Connect an answering machine to the EXT. TEL jack on the rear side of the SFX-10.)

1. The telephone rings according to the ring delay setting of your answering machine.

When an incoming fax signal is received:

The SFX-10 automatically switches to the receiving mode.

When a phone call is received:

The built-in phone rings and the connected answering machine plays your announcement and then takes messages.

- The SFX-10 can receive a fax after the answering machine plays the announcement if the caller is trying to send a fax manually.
- If there is no incoming voice signal for 6 seconds, the SFX-10 automatically switches over to the fax receiving mode and sends a fax signal to the caller.
- Be sure to advise callers in your announcement that fax reception takes place after the message.

Example: "Please leave a message or send a fax after you hear the tone."

2. Fax reception starts.

*** RECEIVE ***

3. Reception is completed.

23 Oct. '94 12:00

*The answering machine must be set to answer a call within 40 seconds. (If the telephone is allowed to ring more than 41 seconds, the SFX-10 switches to fax receiving mode.)

*Automatic switching may not function properly on certain answering systems.

*When the SFX-10 is set to the ANSWER mode, there may be some difficulties in remote message retrieval operation of the connected answering machine.

If you need to access the answering machine by remote, the SFX-10 must be set to the MANUAL mode.

Remote reception

The remote reception feature allows a fax reception after a telephone call is answered by an extension telephone connected to the same line on the SFX-10.

Series connection

Telephone line

[SFX-10] ---- [Extension phone]

The feature switch No. 08 must be set to ON. (The initial setting is ON, activation number [3][3].)

1. The telephone rings.
Lift the handset of extension phone.
2. After the conversation or when you hear the incoming fax tone, enter [3] twice on the extension phone to activate a fax reception.
➡ The SFX-10 switches to the receiving mode.
3. Replace the handset of extension phone.

*The remote reception features are initially set to ON (remote activation number 33) position.

You can change the setting ON (remote activation number 10-99) or OFF (no remote reception possible) using the feature switch No. 08. (See page 42.)

*When you make a mistake in entering the remote activation number, re-enter the correct number.

*If you initiated the call from the extension phone, remote reception will not work.

*Remote reception may not function properly on certain telephones.

Duplex Ringing

You can set the SFX-10 to duplex ringing by feature switch 56. (see page 43)
Once this mode is selected, the SFX-10 operates as follows.

In case of normal ring: No ring detection is carried out, only phone rings until the operator lifts the handset.

In case of Fax ring: The SFX-10 detects the ring and release the Fax tone to the caller.

Notes

*Initial factory setting of feature sw. 56 is OFF (No duplex ringing)

Set to ON when this service is applied by H.K telecom (application is required)

*Once duplex ring is set to ON, the SFX-10 operates according to the rings as described above, no matter what the reception mode is set.

Phone reservation

This feature allows you to start a phone conversation after sending or receiving a fax.

To start a phone conversation after sending or receiving a fax:

1. Lift the handset during fax reception or transmission.
 - ➔When the fax reception (or transmission) is completed, a beep sounds at the other side.
 - In case of transmission, a beep sounds at the other side for 10 seconds.
 - In case of reception, a beep sounds at the other side for 14 seconds.
2. When the other party picks up the handset, you hear the short beep.

*If you lift the handset and replace it, phone reservation is canceled.

*If the other party does not pick up the handset while the beep sounds, the phone line will be disconnected.

*If the other unit does not have the phone reservation function, the phone line will be disconnected.

Phone reservation reception

If the other party initiates phone reservation, a beep sounds and the display shows PHONE CALLING. Lift the handset and talk to the calling party.

One-touch dial/Speed dial memory programming

Up to 12 telephone or fax numbers (and corresponding names) can be stored in the SFX-10's digital memory. Each of the 4 one-touch dialing keys (A-D) can be used to store a fax number or a telephone number. An additional 8 numbers (fax or telephone) can be stored using the speed dialing numbers (1-8).

1. Press **[MENU]**.

1 : O. T & S. D SET ?

2. Press **[SET]**.

O. T No. = A ?

3. Press one-touch dialing key (A-D) or speed dial number (1-8).

O. T No. = B ?

4. Press **[SET]**.

█ : ABCDE

5. Enter the party's name (to maximum of 16 characters).
See page 17, 18 for detailed instructions.

ABCDE █ : ABCDE

6. Press **[SET]**.

█

7. Enter the fax (or telephone) number.
(A maximum of 32 digits can be entered including pauses and hyphens.)

1 2 3 4 5 6

8. Press **[SET]**.

O. T No. = C ?

● To program other one-touch keys or speed dial numbers, repeat steps 3-8.

9. Press **[STOP/C]** to finish one-touch and speed dial number programming.

23 Oct. '94 12:00

*For instructions on printing out a numerical list of programmed names and numbers, see page 39.

*To interrupt programming, press **[STOP/C]**.

*If you make a mistake in entering phone number, press **[STOP/C]** and re-enter the correct number.

*To enter hyphen, press **[SPEED DIAL]**.

*To enter a three-second pause between two digits of a number, press **[REDIAL/P]** in the appropriate place.

A semicolon (;) indicates a pause.

*To change the programming, press **[SET]** twice at step 4 and follow the steps 5-9. In this case, the programmed phone number is displayed after step 6, press **[STOP/C]** and enter the your desired phone number.

*To cancel the programming, press **[MENU]** and then **[SET]** after step 4.

Printing a number list

You can print a list of the programmed one-touch dialing and speed dialing numbers.

1. Press [MENU].

1 : O. T & S. D SET ?

2. Press [COPY].

→The SFX-10 issues a number list.

●To return to stand-by mode, press [STOP/C].

O. T & S. D LIST

Sample of a number list

*** ONETOUCH, SPEED DIAL LIST ***			
23 Oct. '94 12:00			
	No.	PARTY'S NAME	NUMBER
ONETOUCH DIAL	A	DEALER A	123456789
	B	DEALER B	987654321
SPEED DIAL	1	DEALER C	224416
	2	DEALER D	339981

Feature switches

The SFX-10's various feature switches were factory-preset to standard (default) settings before the unit was shipped to you.

To provide you with more choices the SFX-10 allows you to change these feature switch settings.

The feature switches and their functions are listed on page 42 and 43.

To change feature switch settings

1. Press [MENU] 4 times.

4 : FEATURE SW. ?

2. Press [SET].

(0 1) PAUSE TIME

3. Enter the number of the switch you want to change.

(0 6) AUTO REDIAL

Example: To change the number of times a phone number is automatically redialed, press [0] and [6] to select feature switch No. 06.

4. Press [SET].

2 TIMES (0 2)

5. Enter the code of your choice.

3 TIMES (0 3)

Example: To change the number of times a phone number is automatically redialed from 2 times to 3 times, enter [0] and [3].

6. Press [SET].

● Repeat steps 3-6 to make additional changes (as required).

(07) No. OF RINGS

7. Press [STOP/C] to finish programming.

23 Oct. '94 12:00

*To interrupt the feature switch setting procedure, press [STOP/C].

*To print out a feature switch setting list, press [COPY] after step 1.

Sample of feature switch list

*** FEATURE SW. LIST ***		
23 Oct. '94 13:55		123456
No. SWITCH NAME	SET CODE	INITIAL SET
[01] PAUSE TIME	(03) 3 sec.	(03) 3 sec.
[06] AUTO REDIAL	(02) 2TIMES	(02) 2TIMES
[07] NUMBER OF RINGS	(03) 3TIMES	(03) 3TIMES
[08] REMOTE RECEIVE	(33) 33	(33) 33
[09] FAX/TEL SW. OVER	(00) OFF	(00) OFF
[17] KEY SOUND	(02) HIGH	(02) HIGH
[20] HEADER PRINT	(01) ON:OUTSIDE	(01) ON: OUTSIDE
[23] PRINT DENSITY	(00) NORMAL	(00) NORMAL
[27] HOME (RESOLUTION)	(02) NOT RETURN	(02) NOT RETURN
[28] HOME (CONTRAST)	(03) NOT RETURN	(03) NOT RETURN
[36] HALFTONE QUALITY	(01) PATTERN2	(01) PATTERN2
[37] EDGE ENHANCEMENT	(00) OFF	(00) OFF
[49] TAS CHECK TIME	(00) NO LIMIT	(00) NO LIMIT
[54] AUTO PROGRESS	(01) ON	(01) ON
[56] DUPLEX RINGING	(00) OFF	(00) OFF

Feature switch list

Switch No.	Setting Items	Setting No.	Description	Factory setting
01	Pause time	02	02 sec.	03
		03	03 sec.	
		04	04 sec.	
		05	05 sec.	
		06	06 sec.	
		07	07 sec.	
		08	08 sec.	
		09	09 sec.	
		10	10 sec.	
		11	11 sec.	
		12	12 sec.	
		06	Number of automatic redial attempts after transmission attempt.	
01	1 time			
02	2 times			
03	3 times			
07	Number of rings the SFX-10 issues before connecting to the line.	00	Short rings	03
		01	1 ring	
		11	11 rings	
08	Remote receiving capability	00	OFF(No remote reception possible)	33
		10	ON(2-digit remote reception activation number)	
		99		
09	The simulated rings that the SFX-10 issues after connecting to the line during the AUTO reception mode, but before switching to fax reception mode for an incoming manual fax (or voice call).	00	OFF(No rings/No auto switching)	OFF
		01	3 rings(Auto switching)	
		02	5 rings(Auto switching)	
		03	7 rings(Auto switching)	
		04	9 rings(Auto switching)	
05	11 rings(Auto switching)			
17	Key operation beeps	00	OFF	02
		01	Low	
		02	High	
20	Determines whether your station name, fax number and date/time are printed on the header.	01	ON(Printing outside of original)	01
		02	ON(Printing inside of original)	

Switch No.	Setting Items	Setting No.	Description	Factory setting
23	Print density	00	Normal	00
		01	Darker	
27	Home position of the resolution mode	00	STANDARD	02
		01	FINE	
		02	Not return	
28	Home position of the contrast mode	00	NORMAL	03
		01	LIGHT	
		02	HALFTONE	
		03	Not return	
36	Halftone quality (relative to transmission speed)	00	Faster transmission	01
		01	Better halftone quality at slower speed	
37	Character edge enhancement level for halftone.*	00	OFF	00
		01	To enhance character edge, set to a higher number.	
		02		
		03		
49	Time length during which SFX-10(in the ANSWER mode) determines whether the incoming fax signal is an automatic or manual transmission.	00	No limit	00
		01	10 sec.	
		1	1	
		20	200 sec.	
54	Auto progress transmission and reception	00	OFF(need to press [START] key for manual transmission and reception)	01
		01	ON(no need to press [START] key for manual transmission and reception)	
56	Duplex Ringing	00	OFF	00
		01	ON	

*Make a copy to determine the most suitable level for your document quality.

Thermal paper handling

The thermal paper is heat-sensitive. Follow the precautions below while handling it.

Storage precautions

The thermal paper will start to discolor gradually at about 70°C (158°F). It should not be exposed to heat, humidity or light, even when not in use. To store it, take the following precautions.

1. Store in a dark, cool and dry place.
Avoid storing near heat-generating appliances or in enclosed places subject to high temperatures (the trunk of a car, for example).
2. Once the package is opened, use the paper as soon as possible.

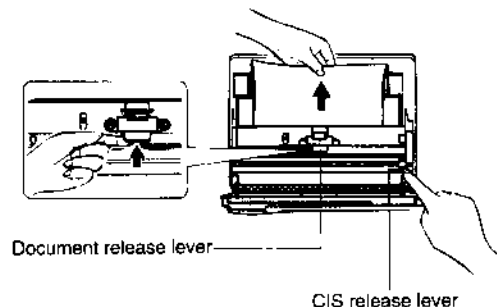
Handling precautions

1. If the thermal paper is touched with sweaty hands, or fingers, a smeared image may result.
2. If the thermal paper is rubbed against a hand, coloring may be caused by heat due to friction.
3. Coloring or erasure may occur if oil or other chemicals are allowed to come into contact with the paper. Be careful in the following cases:
 - When gluing, use only water-soluble glue (commercially available).
 - When some adhesive tapes are used, coloring may result. The use of double-sided tapes on the back of the paper is recommended.
 - When storing the paper in plastic cases, use ones that are made of polyethylene, polypropylene or polyester. (Do not use PVC cases.)
 - Do not stack the paper along with polyvinyl chloride (PVC) films or heat-sensitive wax-type paper. The recorded images will fade, as these materials contain plastics.
 - Do not stack the paper with diazo- or wet-type photocopies immediately after they have been copied on.
Ammonia, etc., may cause discoloring.
 - The paper will discolor if it comes into contact with alcohol or other volatile organic solutions.
4. Avoid exposing the paper to direct sunlight, as this tends to cause yellowing.

Jammed original

A beep sounds and the display shows ORIGINAL JAM, if an original jams.
(If the ERROR lamp lights when the original jams, press [STOP/C] before performing the operations below.)

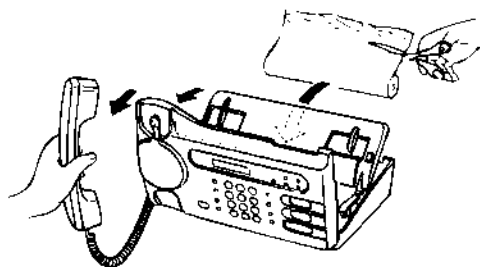
1. Lift the operation panel forward.
 - (1) Take off the handset.
 - (2) Lift the operation panel forward.
2. Raise the document release lever.
3. Remove the jammed original while pressing the CIS release lever.
4. Reposition the document release lever, and close the operation panel.
5. Replace the handset.



Jammed recording paper

A beep sounds and display shows "CHECK PAPER", if the recording paper jams.

1. Open the recording paper cover.
 - (1) Take off the handset.
 - (2) Lift the operation panel forward.
 - (3) Press [OPEN] button.
2. Remove the jammed recording paper.
3. Cut off the jammed section of the recording paper and reinstall the recording paper.

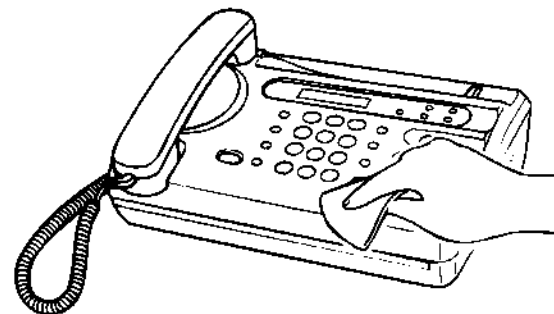


Cleaning

Cleaning the housing (exterior plastic parts)

Gently wipe the housing with a soft, clean cloth dampened with a small amount of a neutral detergent.

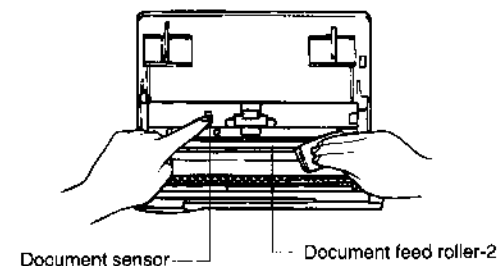
- Do not use a cleaning agent such as alcohol or benzene.



Cleaning the document feed roller-2

If a streak or dirty pattern appears on a copy or a fax you have sent, clean the document feed roller-2 with a soft, clean cloth dampened with a small amount of neutral detergent.

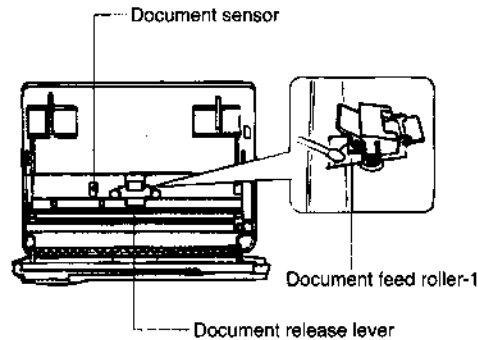
1. Lift the operation panel forward.
 - (1) Take off the handset.
 - (2) Lift the operation panel forward.
2. In order to rotate the document feed roller-2, press the document sensor as shown in the figure.
3. Clean the document feed roller-2, then dry it thoroughly to prevent the document from jamming.



Cleaning the document feed roller-1

If the document jamming or overlapping frequently occurs, clean the document feed roller-1 with a cotton swab dampened with a small amount of a neutral detergent.

1. Lift the operation panel forward.
 - (1) Take off the handset.
 - (2) Lift the operation panel forward.
2. Pull the document release lever.
3. In order to rotate the document feed roller-1, press the document sensor as shown in the figure.
4. Clean the document feed roller-1, then dry them thoroughly to prevent the document from jamming.



Troubleshooting

If problems occur during operation, check below before taking the unit for service. If the problem cannot be corrected, contact dealer from whom the unit was purchased.

	Symptoms	Possible Causes/Solution	Page
General	Unit does not operate.	AC plug may not be connected to electrical outlet.	9
	The display indicates CHECK PAPER	Recording paper may not be set properly.	11
		Recording paper may have run out.	
General	Document cannot be inserted.	Document may be too thin or too thick.	22
		Another document may be jammed inside. Open operation panel and remove jammed document. You may have placed more than 5 sheets.	45
Transmitting	Transmission is not possible.	Document may not be inserted enough into the slot.	24
		Recording paper may have run out on receiving unit.	-
		Receiving unit may be set for manual reception.	-
Reception	Reception is not possible. (Bell rings.)	Unit may be set for manual reception. Press [START] key to receive the incoming fax transmission.	32
		AC cord may not be connected.	9
		Recording paper may have run out.	11
	Reception is not possible.	Recording paper may have run out.	11
	Received copy is not dark enough.	The recommended recording paper is not used.	11
		Transmitted original may be light.	23
	Received copy is blank.	Recording paper may have been inserted upside-down.	11
		Transmitted original may have been upside-down.	-
Received copy contains illegible/distorted characters.	Phone connection may have been poor. (If problem continues, contact dealer.)	-	
Red line appears on recording paper.	Recording paper has almost run out. Install a new recording paper roll.	11	

	Symptoms	Possible Causes/Solution	Page
	Error lamp lights.	Press [STOP/C] to turn off the error light.	-
Phone call	No dial tone when handset is picked up.	Telephone line may not be connected properly.	9
	No ringer volume is heard.	Ringer volume switch may be set to "OFF".	5
	Fax/phone call does not connect to other party.	Wrong dialing mode may be set.	10
Extension phone	Impossible to place phone call.	Fax possibly being transmitted or received.	-
	Telephone does not ring.	Too many phones may have been connected to the same line.	9
	Remote reception does not work.	Remote reception feature switch No. 08 may have been set to off.	42
		If you have initiated the call from the extension phone, remote reception will not work.	-

Specifications

Model	SFX-10
Type	Desk-top type transceiver
Line connected	Public switched telephone network
Size of recording paper	Thermal paper : 216 mm (8.5") x 30 m (98') High-grade thermal paper : 216 mm (8.5") x 25 m (82')
Effective scanning width	208 mm (8.2")
Effective recording width	212 mm (8.3")
Transmission speed	9600/7200/4800/2400 BPS
Transmission time	Approx. 20 sec. (Transmission mode: Standard)
Main scanning density	8 pels
Sub scanning density	Standard mode : 3.85 lines/mm Fine mode : 7.7 lines/mm
Compression mode	MH (Modified Huffman) and Sanyo original
Reading method	Flat-bed by Contact Image Sensor
Recording method	Flat-bed by Thermal printing head
Power supply	AC 220 V, 50/60 Hz
Power consumption	Stand-by: 5 W, Transmission: 20 W, Reception: 40 W, Copy: 100 W
Overall dimensions	299(W) x 130(H) x 221(D) mm 11.8"(W) x 5.1"(H) x 8.7"(D)
Weight	Approx. 3.5 kg (7.7 lb)
Ambient temperature	5°C -35°C (41°F - 95°F)

Optional accessories

Part name	Part No.
Thermal paper (30m/98')	FP30M (R-4079448-1)
High-grade thermal paper (25m/82')	FPHG25MA (3RE2182800450)